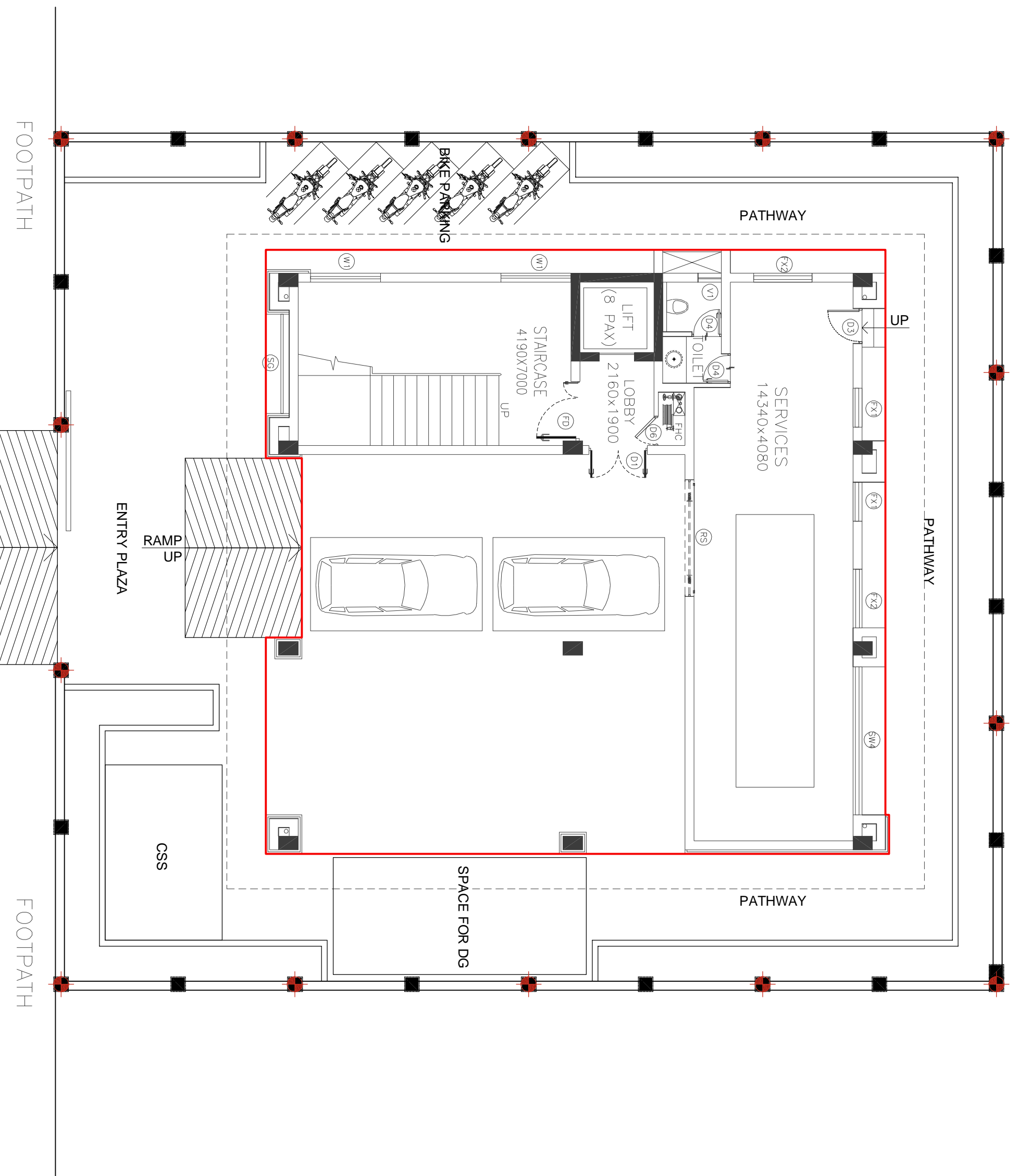


P3 HARDSCAPE PLAN
SCALE - 1:100



P4 LIGHTING PLAN
SCALE - 1:100

HARDSCAPE LEGEND

SR	SYMBOL	DESCRIPTION	QUANTITY
1.	[Symbol]	Interlocking 60mm thick Concrete pavers (Dark Gray)	75 sqm
2.	[Symbol]	Interlocking 60mm thick Concrete pavers Brick pavers (Light Gray)	70 sqm
3.	[Symbol]	Interlocking 60mm thick Concrete pavers Brick pavers (Red)	10 sqm
4.	[Symbol]	Polished Black Granite (150 mm wide band)	20 sqm
5.	[Symbol]	Flamed Granite (18mm thick)	50 sqm
6.	[Symbol]	Polished Tan Brown Granite (25mm thick)	30 sqm

LIGHTING LEGEND

SR	SYMBOL	DESCRIPTION	QUANTITY
1.	[Symbol]	GATE LIGHT	14 NOS.

DO NOT SCALE

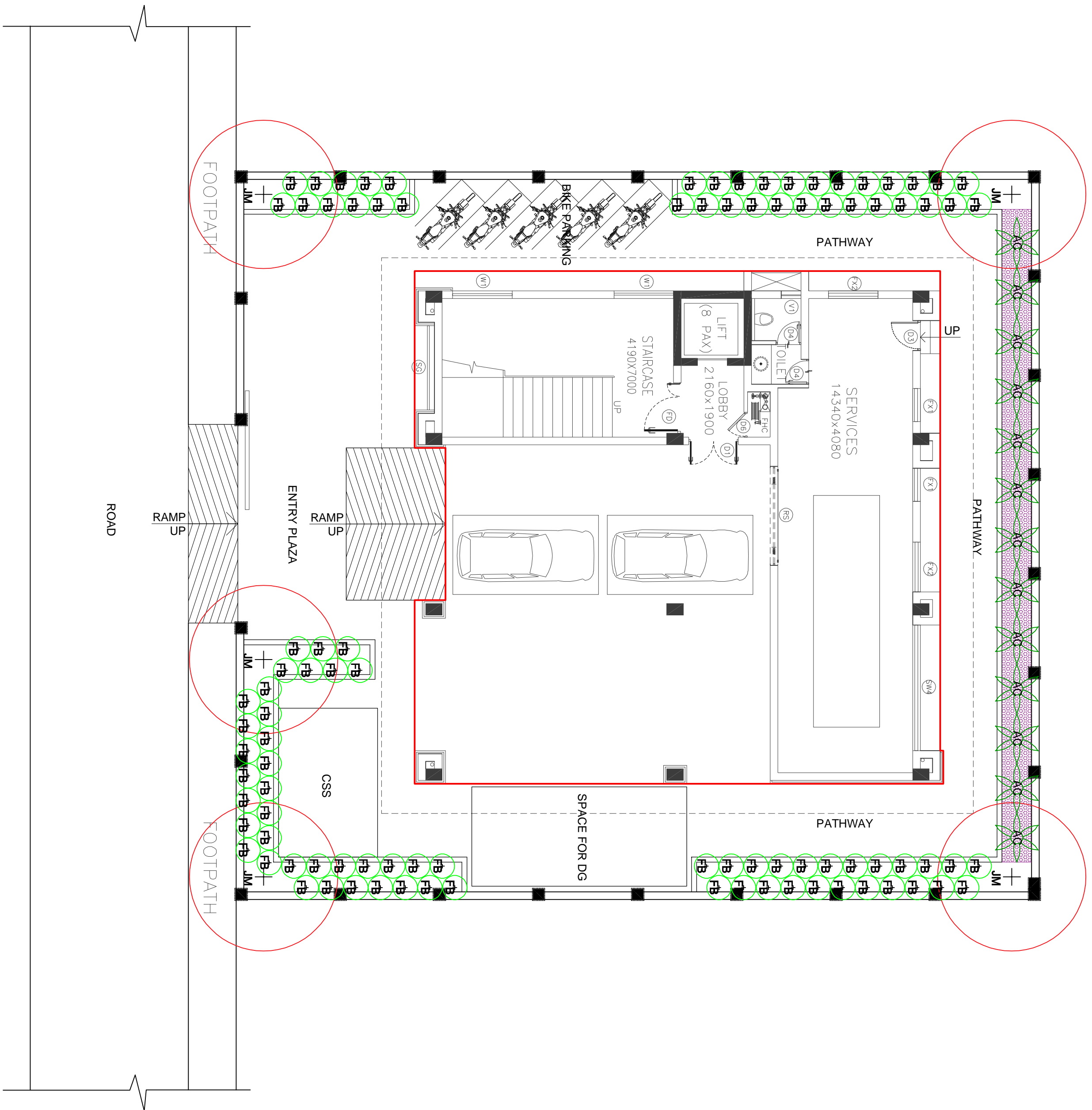
GOOD FOR CONSTRUCTION

ISSUE	DRN	DSN	CHD	CV	EL	IC	ME	PL	HW	EXT	LS	PE/PM	APPD	DATE

GUWAHATI SMART CITY DEVELOPMENT AGENCY LTD.
SMART CITY MISSION GUWAHATI

HARDSCAPE PLAN AND LIGHTING PLAN

TATA CONSULTING ENGINEERS LIMITED
MUMBAI



P5 LANDSCAPE PLANTING PLAN
 SCALE: 1:100

SOFTSCAPE LEGEND

SR.	SYMBOL	DESCRIPTION	QUANTITY
1.	JM	Jacaranda mimrosifolia	05 Nos.
2.	FB	Ficus Benjamina	95 Nos.
3.	FB	Areca palm	13 Nos.
4.	FB	Raphis excelsa	18 Sqm.

**GOOD FOR CONSTRUCTION
 DO NOT SCALE**

* PRELIMINARY ISSUES ARE NOT TO BE USED FOR CONSTRUCTION. FABRICATION WORK IS PERMITTED ON R/C BLOCK ABOVE THIS BLOCK.
 INFORMATION CONTAINED WITHIN HOLD IS NOT RELEASED PROCEEDING WITH ANY CONSTRUCTION / FABRICATION WORK RELATED TO HOLD.
 PROPRIETARY RIGHTS OF THE INFORMATION CONTAINED HEREIN BELONG TO TCE. THE INFORMATION IS PROVIDED AS IS AND WITHOUT WARRANTY OF ANY KIND. IN CASE OF MISUSE OF INFORMATION AND ANY CLAIM ARISING THEREOF, CONSEQUENCE WILL BE ON THE PARTY MISUSING THE INFORMATION.

FILE NAME : TCE.10477A-AC-1007-LP-10403-R0

ISSUE	DRN	DSN	CHD	CV	EL	IC	ME	PL	HW	EXT	LS	PE/PM	APPD	DATE

GUWAHATI SMART CITY DEVELOPMENT AGENCY LTD.
 SMART CITY MISSION GUWAHATI

LANDSCAPE PLANTING PLAN - TREES, SHRUBS AND GROUNDCOVER

TATA CONSULTING ENGINEERS LIMITED
 MUMBAI

SCALE : 1:100
 DWG NO. TCE.10477A-LP-1018-LP-10403
 DC & DISC: DEL-AC

ISSUE: R0
 TCE FORM NO. 091 R0

CIVIL DRAWINGS

COLUMN SCHEDULE

LEVEL	COLM. MKD.	DESCRIPTION	SW:01	C:01	C:02	SW:02	SW:03	C:03	C:04	SW:04	SW:05	C:05	C:06	SW:06
UP TO MUMTY	COLUMN SIZE CONCRETE GRADE LONGITUDINAL BARS	A	↑	↑	⊗	⊗	↑	↑	⊗	⊗	↑	A=4-200 B=8-160 C=6-160 D=2-160 SEC.-09	⊗	⊗
		B	↑	↑	⊗	⊗	↑	↑	⊗	⊗	↑	↑	↑	↑
		C	↑	↑	⊗	⊗	↑	↑	↑	↑	↑	↑	↑	↑
		D	↑	↑	⊗	⊗	↑	↑	↑	↑	↑	↑	↑	↑
FOURTH FLOOR	COLUMN SIZE CONCRETE GRADE LONGITUDINAL BARS	A	↑	A=4-200 B=8-200 C=8-160 D=2-160 SEC.-03	⊗	⊗	↑	A=4-200 B=8-200 C=8-200 D=2-200 SEC.-06	⊗	⊗	↑	↑	↑	↑
		B	↑	↑	⊗	⊗	↑	↑	↑	↑	↑	↑	↑	↑
		C	↑	↑	⊗	⊗	↑	↑	↑	↑	↑	↑	↑	↑
		D	↑	↑	⊗	⊗	↑	↑	↑	↑	↑	↑	↑	↑
THIRD FLOOR	COLUMN SIZE CONCRETE GRADE LONGITUDINAL BARS	A	↑	↑	↑	↑	↑	↑	↑	↑	↑	A=4-250 B=8-250 C=6-200 D=2-200 SEC.-08	↑	↑
		B	↑	↑	↑	↑	↑	↑	↑	↑	↑	↑	↑	↑
		C	↑	↑	↑	↑	↑	↑	↑	↑	↑	↑	↑	↑
		D	↑	↑	↑	↑	↑	↑	↑	↑	↑	↑	↑	↑
SECOND FLOOR	COLUMN SIZE CONCRETE GRADE LONGITUDINAL BARS	A	↑	A=36-250 B=30-200 C=8-200 D=2-200 SEC.-02	↑	↑	↑	A=4-250 B=8-200 C=8-200 D=2-200 SEC.-02	↑	A=36-200 B=20-160 C=8-200 D=2-200 SEC.-04	↑	A=4-250 B=8-250 C=8-200 D=2-200 SEC.-05	↑	A=36-200 B=20-160 C=8-200 D=2-200 SEC.-10
		B	↑	↑	↑	↑	↑	↑	↑	↑	↑	↑	↑	↑
		C	↑	↑	↑	↑	↑	↑	↑	↑	↑	↑	↑	↑
		D	↑	↑	↑	↑	↑	↑	↑	↑	↑	↑	↑	↑
FIRST FLOOR	COLUMN SIZE CONCRETE GRADE LONGITUDINAL BARS	A	↑	↑	↑	↑	↑	↑	↑	↑	↑	↑	↑	↑
		B	↑	↑	↑	↑	↑	↑	↑	↑	↑	↑	↑	↑
		C	↑	↑	↑	↑	↑	↑	↑	↑	↑	↑	↑	↑
		D	↑	↑	↑	↑	↑	↑	↑	↑	↑	↑	↑	↑
GROUND FLOOR	COLUMN SIZE CONCRETE GRADE LONGITUDINAL BARS	A	↑	↑	↑	↑	↑	↑	↑	↑	↑	↑	↑	↑
		B	↑	↑	↑	↑	↑	↑	↑	↑	↑	↑	↑	↑
		C	↑	↑	↑	↑	↑	↑	↑	↑	↑	↑	↑	↑
		D	↑	↑	↑	↑	↑	↑	↑	↑	↑	↑	↑	↑
TOP OF PILE CAP	COLUMN SIZE CONCRETE GRADE LONGITUDINAL BARS	A	AS/SECTION M25	600X800 M25	500X800 M25	AS/SECTION M25	AS/SECTION M25	600X800 M25	600X800 M25	400X3510 M25	AS/SECTION M25	500X800 M25	500X800 M25	AS/SECTION M25
		B	A=36-250 B=30-250	A=4-250 B=8-250 C=4-250 D=6-200 SEC.-01	A=4-250 B=8-250 C=6-250 D=2-200 SEC.-04	A=36-250 B=20-250	A=30-250 B=22-250 C=40-200	A=4-250 B=8-250 C=8-200 D=2-200 SEC.-05	A=4-250 B=8-250 C=4-250 D=6-200 SEC.-01	A=36-250 B=32-250	A=36-250 B=12-250	A=4-250 B=8-250 C=6-250 D=2-250 SEC.-07	A=4-250 B=8-250 C=6-200 D=2-200 SEC.-08	A=36-250 B=20-250
		C	↑	↑	↑	↑	↑	↑	↑	↑	↑	↑	↑	↑
		D	↑	↑	↑	↑	↑	↑	↑	↑	↑	↑	↑	↑

RELATED DRAWINGS:

- TCE:10477A-CV-1007-RC-1001
- TCE:10477A-CV-1007-RC-1003
- TCE:10477A-CV-1007-RC-1004
- TCE:10477A-CV-1007-RC-1005
- TCE:10477A-CV-1007-RC-1006
- TCE:10477A-CV-1007-RC-1007
- TCE:10477A-CV-1007-RC-1008
- TCE:10477A-CV-1007-RC-1009

NOTES:

- ALL DIMENSIONS AND LEVELS ARE IN mm U.N.O.
- ONLY FIGURED DIMENSIONS ARE TO BE FOLLOWED, NOT TO BE MEASURED.

- GRADE OF CONCRETE SHALL BE OF M25(1:1:2) U.N.O.
- GRADE OF REINFORCEMENT STEEL SHALL BE OF Fe500
- THESE DRAWINGS ARE THE PROPERTY OF M/S TATA CONSULTING ENGINEERS LIMITED, THOSE SHALL NOT BE COPIED, TRANSFERRED, MODIFIED OR USED FOR ANY PURPOSE OTHER THAN FOR THE PLANNING AND CONSTRUCTION OF "INTEGRATED COMMAND CONTROL CENTRE PROJECT AT PANJABARI, GUWAHATI"

- DE-SHUTTERING PERIOD SHALL NOT BE LESS THAN SPECIFIED BELOW:-

- | | | |
|--|-------------------------|-----------|
| a) VERTICAL FACES OF COLUMN, BEAM & WALL | : | 24 HOURS |
| b) SLAB | (i) SPANNING UP TO 4.5m | : 7 DAYS |
| | (ii) SPANNING OVER 4.5m | : 14 DAYS |
| c) BEAM | (i) SPANNING UP TO 6.0m | : 14 DAYS |
| | (ii) SPANNING OVER 6.0m | : 21 DAYS |

- CLEAR COVER TO THE MAIN REINFORCEMENT

- | | | |
|------------------------|---|---------|
| a) FOUNDATION | : | 60mm |
| b) COLUMN UP TO PLINTH | : | 60mm |
| c) COLUMN ABOVE PLINTH | : | 40mm |
| d) BEAM | : | 25mm |
| e) WALL | : | 30mm |
| f) SLAB | : | 15-20mm |

- LAP & ANCHORAGE SHALL BE OF 50 TIMES OF BAR DIA.

- NOT MORE THAN 50% OF THE BARS SHALL BE SPLICED AT ONE SECTION
- USE SPACE BAR TO AVOID CONGESTION, WHEREVER NECESSARY.

- ANY DISCREPANCY NOTED SHOULD BE BROUGHT TO THE NOTICE OF THE CONSULTANT.

- THIS DRAWING SHALL BE READ IN CONJUNCTION WITH RELEVANT ARCHITECTURAL DRAWINGS.

TENDER PURPOSE ONLY

SIGN.	INITIALS	REGIONS	ISSUE	DRN	DSN	CHD	CV	EL	IC	WE	PI	HW	EXT	LS	FE/PM	APPD	DATE
																	15.04.2020

GUWAHATI SMART CITY DEVELOPMENT AGENCY LTD.
SMART CITY MISSION GUWAHATI

DETAILS OF COLUMN
COLUMN SCHEDULE (SHEET 2 / 9)

TATA CONSULTING ENGINEERS LIMITED

MUMBAI

SCALE : N.T.S. DATE: 15.04.2020

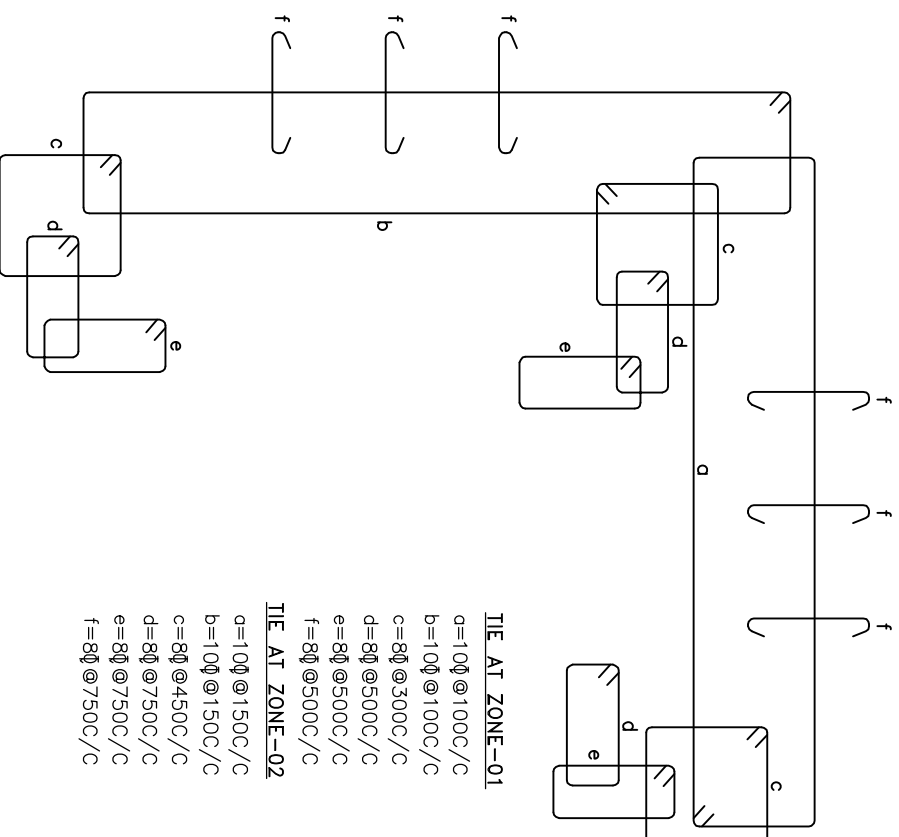
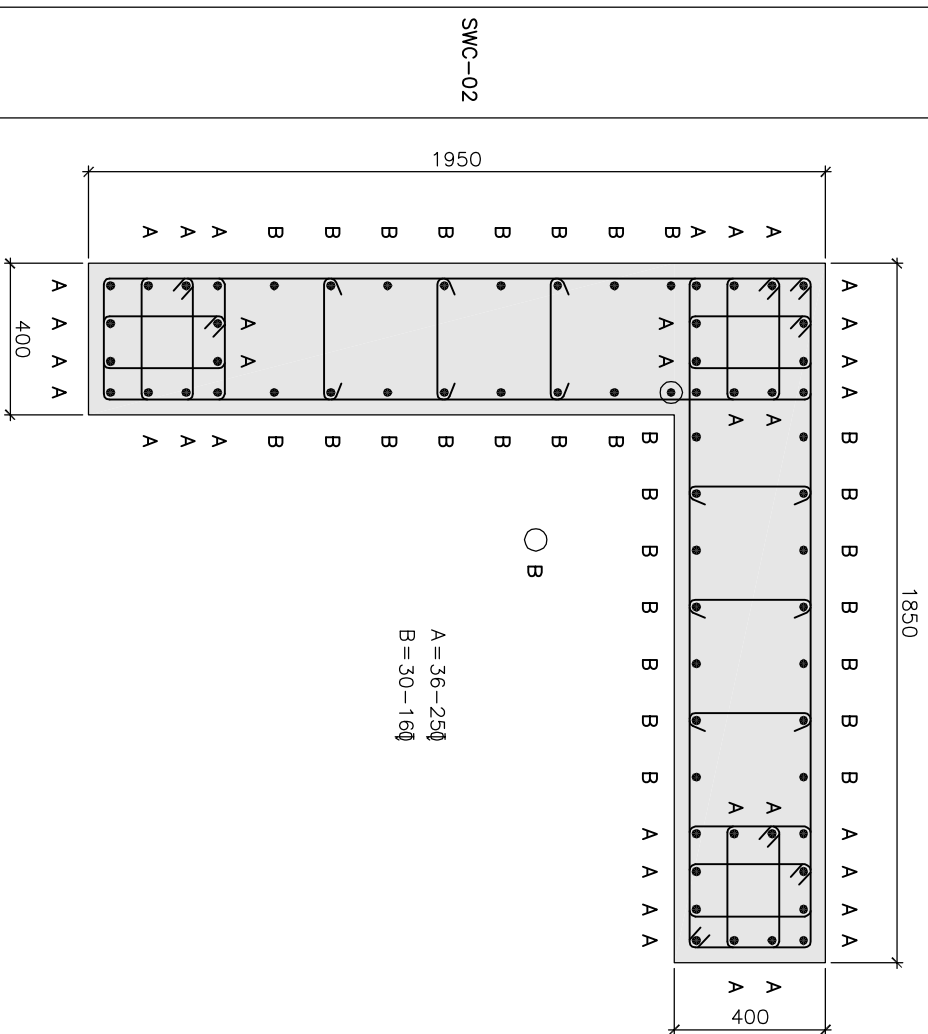
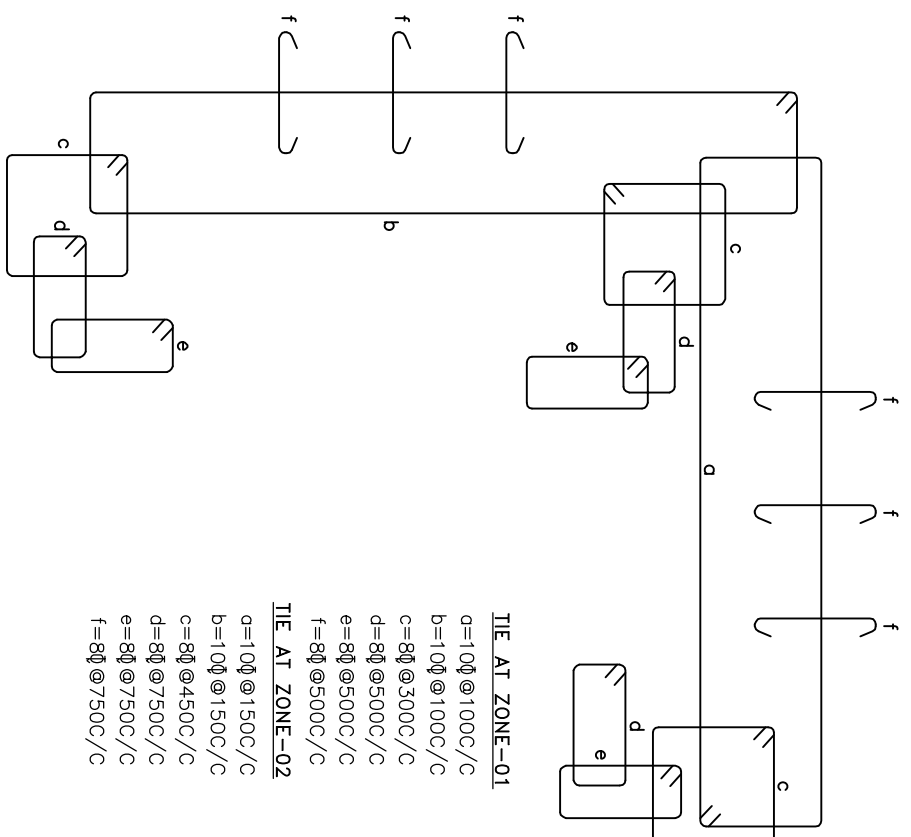
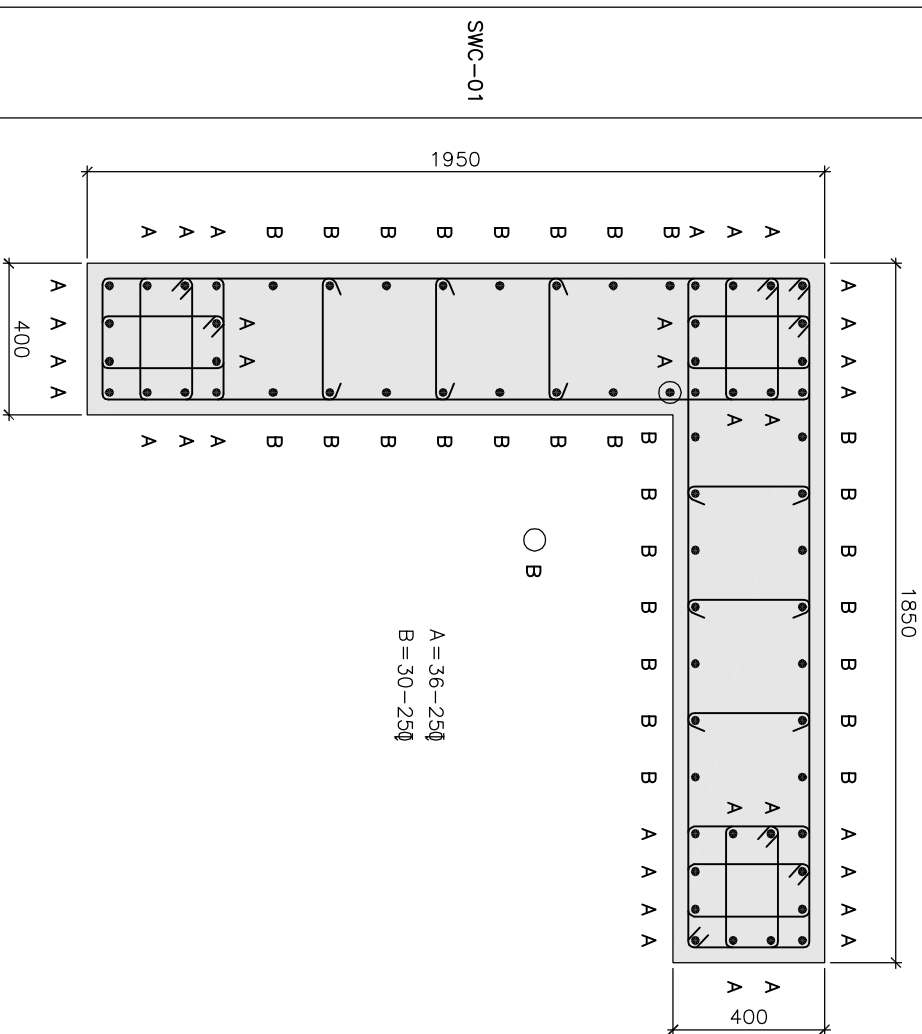
DC & DSCR: ---

ISSUE RO

SECTION MARK

SECTIONAL DETAIL

TIES DETAIL



RELATED DRAWINGS:

- TCE.10477A-CV-1007-RC-1001
- TCE.10477A-CV-1007-RC-1002
- TCE.10477A-CV-1007-RC-1004
- TCE.10477A-CV-1007-RC-1005
- TCE.10477A-CV-1007-RC-1006
- TCE.10477A-CV-1007-RC-1007
- TCE.10477A-CV-1007-RC-1008
- TCE.10477A-CV-1007-RC-1009

NOTES:

- ALL DIMENSIONS AND LEVELS ARE IN mm U.N.O.
- ONLY FIGURED DIMENSIONS ARE TO BE FOLLOWED, NOT TO BE MEASURED.
- GRADE OF CONCRETE SHALL BE OF M25(1:1:2) U.N.O.
- GRADE OF REINFORCEMENT STEEL SHALL BE OF Fe500

5. THESE DRAWINGS ARE THE PROPERTY OF M/S TATA CONSULTING ENGINEERS LIMITED. THOSE SHALL NOT BE COPIED, TRANSFERRED, MODIFIED OR USED FOR ANY PURPOSE OTHER THAN FOR THE PLANNING AND CONSTRUCTION OF "INTEGRATED COMMAND CONTROL CENTRE PROJECT AT PANJABARI, GUWAHATI"

6. DE-SHUTTERING PERIOD SHALL NOT BE LESS THAN SPECIFIED BELOW:-

- | | | |
|--|------|-------------------------------|
| a) VERTICAL FACES OF COLUMN, BEAM & WALL | : | 24 HOURS |
| b) SLAB | (i) | SPANNING UP TO 4.5m : 7 DAYS |
| | (ii) | SPANNING OVER 4.5m : 14 DAYS |
| c) BEAM | (i) | SPANNING UP TO 6.0m : 14 DAYS |
| | (ii) | SPANNING OVER 6.0m : 21 DAYS |

8. CLEAR COVER TO THE MAIN REINFORCEMENT

- | | | |
|------------------------|---|---------|
| a) FOUNDATION | : | 60mm |
| b) COLUMN UP TO PLINTH | : | 60mm |
| c) COLUMN ABOVE PLINTH | : | 40mm |
| d) BEAM | : | 25mm |
| e) WALL | : | 30mm |
| f) SLAB | : | 15-20mm |

9. LAP & ANCHORAGE SHALL BE OF 50 TIMES OF BAR DIA.

10. NOT MORE THAN 50% OF THE BARS SHALL BE SPLICED AT ONE SECTION

11. USE SPACE BAR TO AVOID CONGESTION, WHEREVER NECESSARY.

12. ANY DISCREPANCY NOTED SHOULD BE BROUGHT TO THE NOTICE OF THE CONSULTANT.

13. THIS DRAWING SHALL BE READ IN CONJUNCTION WITH RELEVANT ARCHITECTURAL DRAWINGS.

TENDER PURPOSE ONLY

SN	REVISIONS	DATE
1	INITIALS	15.04.2020
2	DATE	
3	ISSUE	
4	DRN	
5	DSN	
6	CHD	
7	CV	
8	EL	
9	IC	
10	ME	
11	PI	
12	HM	
13	EXT	
14	LS	
15	PE/PM	
16	APPD	
17	DATE	

GUWAHATI SMART CITY DEVELOPMENT AGENCY LTD.
SMART CITY MISSION GUWAHATI

DETAILS OF COLUMN
SECTIONAL DETAIL (SHEET 3 / 9)

TATA CONSULTING ENGINEERS LIMITED
MUMBAI

SCALE : N.T.S. DATE: 15.04.2020
DC & DSC: --- ISSUE: R0

SECTION MARK	SECTIONAL DETAIL	TIE AT ZONE-01	TIE AT ZONE-02
SEC.-01		<p>a=10ϕ@100C/C b=8ϕ@200C/C c=8ϕ@200C/C d=8ϕ@300C/C e=8ϕ@500C/C</p>	<p>a=10ϕ@150C/C b=8ϕ@300C/C c=8ϕ@300C/C d=8ϕ@450C/C e=8ϕ@750C/C</p>
SEC.-02		<p>a=10ϕ@100C/C b=8ϕ@200C/C c=8ϕ@200C/C d=8ϕ@300C/C e=8ϕ@500C/C</p>	<p>a=10ϕ@150C/C b=8ϕ@300C/C c=8ϕ@300C/C d=8ϕ@450C/C e=8ϕ@750C/C</p>
SEC.-03		<p>a=10ϕ@100C/C b=8ϕ@200C/C c=8ϕ@200C/C d=8ϕ@300C/C e=8ϕ@500C/C</p>	<p>a=10ϕ@150C/C b=8ϕ@300C/C c=8ϕ@300C/C d=8ϕ@450C/C e=8ϕ@750C/C</p>

RELATED DRAWINGS:

1. TCE.10477A-CV-1007-RC-1001
2. TCE.10477A-CV-1007-RC-1002
3. TCE.10477A-CV-1007-RC-1003
4. TCE.10477A-CV-1007-RC-1004
5. TCE.10477A-CV-1007-RC-1005
6. TCE.10477A-CV-1007-RC-1006
7. TCE.10477A-CV-1007-RC-1007
8. TCE.10477A-CV-1007-RC-1009

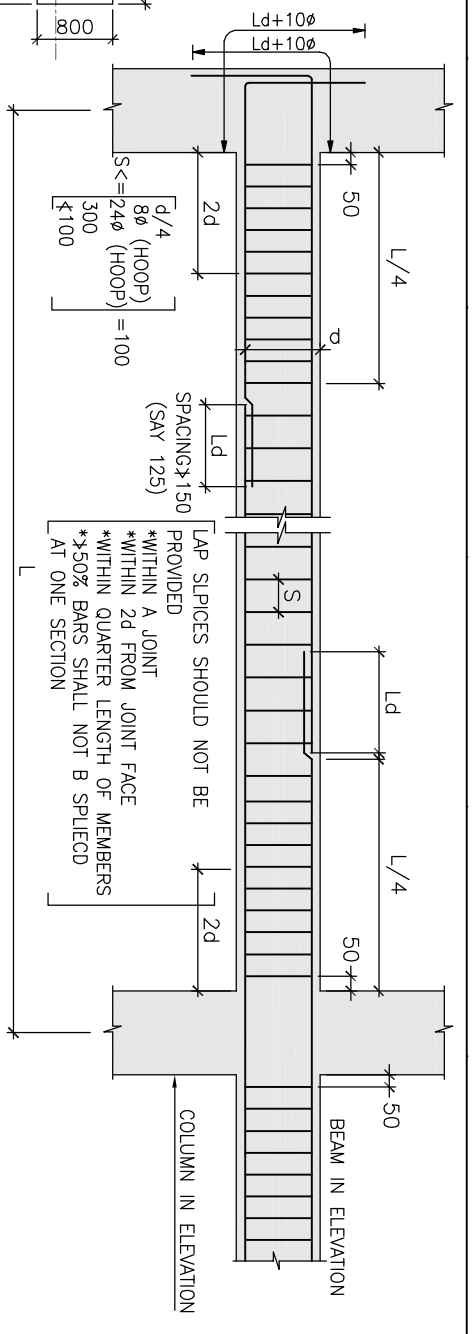
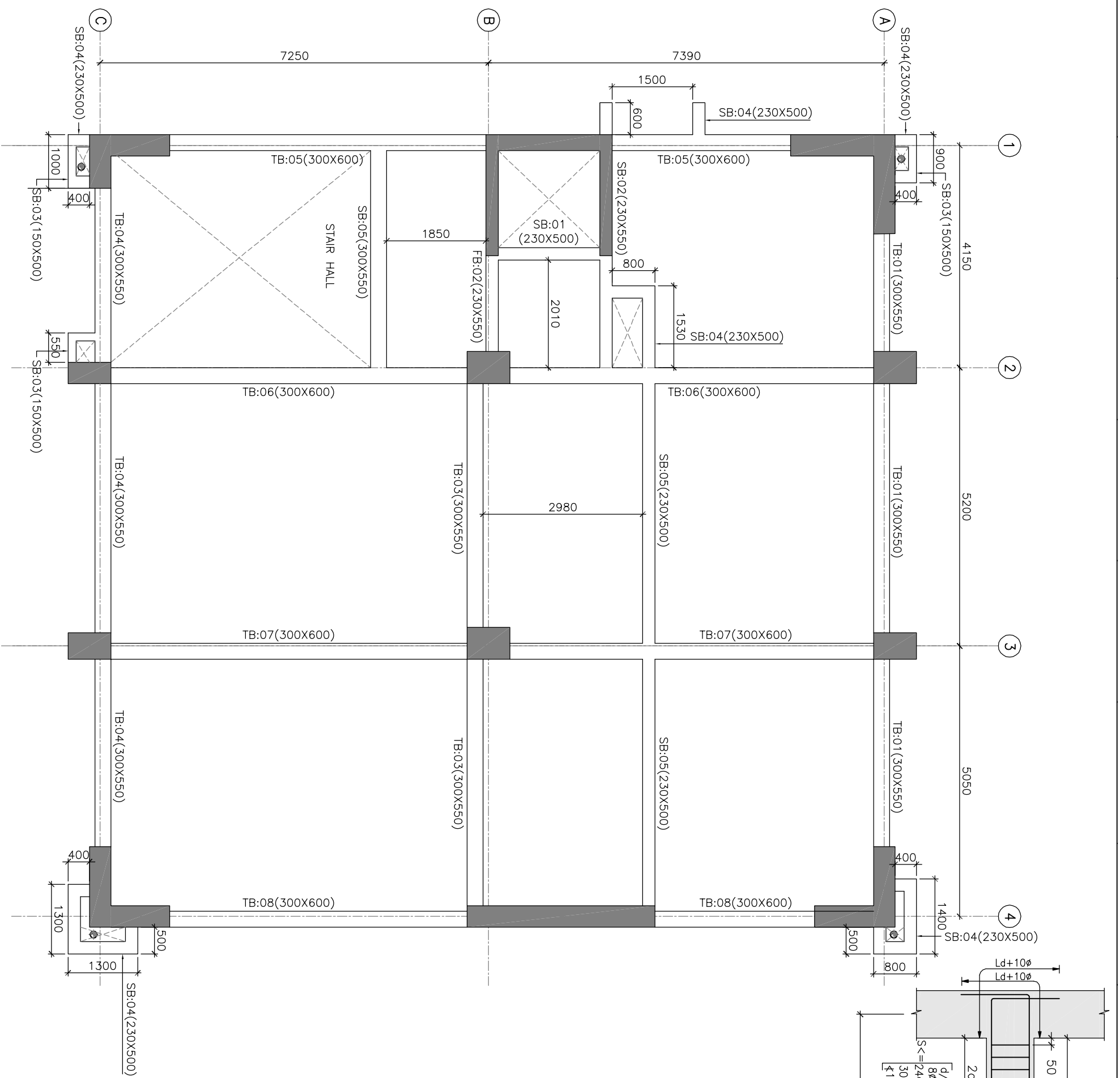
SECTION MARK	SECTIONAL DETAIL	TIE AT ZONE-01	TIE AT ZONE-02
SEC.-04		<p>a=10ϕ@100C/C b=8ϕ@200C/C c=8ϕ@200C/C d=8ϕ@500C/C</p>	<p>a=10ϕ@150C/C b=8ϕ@300C/C c=8ϕ@300C/C d=8ϕ@750C/C</p>
SEC.-05		<p>a=10ϕ@100C/C b=8ϕ@200C/C c=8ϕ@200C/C d=8ϕ@300C/C e=8ϕ@500C/C</p>	<p>a=10ϕ@150C/C b=8ϕ@300C/C c=8ϕ@300C/C d=8ϕ@450C/C e=8ϕ@750C/C</p>
SEC.-06		<p>a=10ϕ@100C/C b=8ϕ@200C/C c=8ϕ@200C/C d=8ϕ@300C/C e=8ϕ@500C/C</p>	<p>a=10ϕ@150C/C b=8ϕ@300C/C c=8ϕ@300C/C d=8ϕ@450C/C e=8ϕ@750C/C</p>

TENDER PURPOSE ONLY

NOTES:

1. ALL DIMENSIONS AND LEVELS ARE IN mm U.N.O.
2. ONLY FIGURED DIMENSIONS ARE TO BE FOLLOWED. NOT TO BE MEASURED.
3. GRADE OF CONCRETE SHALL BE OF M25(1:1:2) U.N.O.
4. GRADE OF REINFORCEMENT STEEL SHALL BE OF F6500
5. LAP & ANCHORAGE SHALL BE OF 50 TIMES OF BAR DIA.
6. NOT MORE THAN 50% OF THE BARS SHALL BE SPLICED AT ONE SECTION
7. USE SPACE BAR TO AVOID CONGESTION, WHEREVER NECESSARY.
8. ANY DISCREPANCY NOTED SHOULD BE BROUGHT TO THE NOTICE OF THE CONSULTANT.
9. THIS DRAWING SHALL BE READ IN CONJUNCTION WITH RELEVANT ARCHITECTURAL DRAWINGS.

SIGN.													
INITIALS													
REVISIONS													
SIGN.									15.04.2020				
INITIALS													
ISSUE	DRN	DSN	CHD	CV	EL	IC	ME	PI	HM&EXT	LS	FE/PM	APPD	DATE
<p>GUWAHATI SMART CITY DEVELOPMENT AGENCY LTD. SMART CITY MISSION GUWAHATI</p> <p>DETAILS OF COLUMN SECTIONAL DETAIL (SHEET 8 / 9)</p> <p>TATA CONSULTING ENGINEERS LIMITED MUMBAI</p> <p>SCALE : N.T.S. DATE: 15.04.2020 DC & DSCR: --- ISSUE: RO</p>													



**TYPICAL REINFORCEMENT
DETAIL OF BEAM**

NOTES:

1. ALL DIMENSIONS AND LEVELS ARE IN mm U.N.O.
2. ONLY FIGURED DIMENSIONS ARE TO BE FOLLOWED, NOT TO BE MEASURED.
3. GRADE OF CONCRETE SHALL BE OF M25(1:1:2) U.N.O.
4. GRADE OF REINFORCEMENT STEEL SHALL BE OF Fe500
5. THESE DRAWINGS ARE THE PROPERTY OF M/S TATA CONSULTING ENGINEERS LIMITED. THOSE SHALL NOT BE COPIED, TRANSFERRED, MODIFIED OR USED FOR ANY PURPOSE OTHER THAN FOR THE PLANNING AND CONSTRUCTION OF "INTEGRATED COMMAND CONTROL CENTRE PROJECT AT PANJABARI, GUWAHATI"

6. DE-SHUTTERING PERIOD SHALL NOT BE LESS THAN SPECIFIED BELOW:-

- | | | |
|--|------|-------------------------------|
| a) VERTICAL FACES OF COLUMN, BEAM & WALL | : | 24 HOURS |
| b) SLAB | (i) | SPANNING UP TO 4.5m : 7 DAYS |
| | (ii) | SPANNING OVER 4.5m : 14 DAYS |
| c) BEAM | (i) | SPANNING UP TO 6.0m : 14 DAYS |
| | (ii) | SPANNING OVER 6.0m : 21 DAYS |

8. CLEAR COVER TO THE MAIN REINFORCEMENT

- | | | |
|------------------------|---|---------|
| a) FOUNDATION | : | 60mm |
| b) COLUMN UP TO PLINTH | : | 60mm |
| c) COLUMN ABOVE PLINTH | : | 40mm |
| d) BEAM | : | 25mm |
| e) WALL | : | 30mm |
| f) SLAB | : | 15-20mm |

9. LAP & ANCHORAGE SHALL BE OF 50 TIMES OF BAR DIA.

10. NOT MORE THAN 50% OF THE BARS SHALL BE SPLICED AT ONE SECTION

11. USE SPACE BAR TO AVOID CONGESTION, WHEREVER NECESSARY.

12. ANY DISCREPANCY NOTED SHOULD BE BROUGHT TO THE NOTICE OF THE CONSULTANT.

13. THIS DRAWING SHALL BE READ IN CONJUNCTION WITH RELEVANT ARCHITECTURAL DRAWINGS.

RELATED DRAWINGS:

1. TCE.10477A-CV-1007-RC-1001
2. TCE.10477A-CV-1007-RC-1011

TENDER PURPOSE ONLY

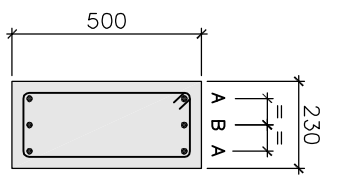
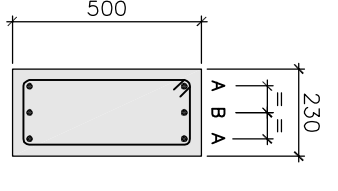
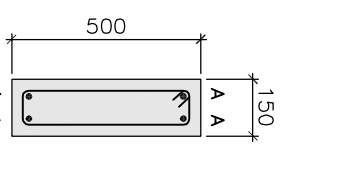
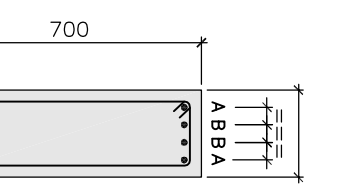
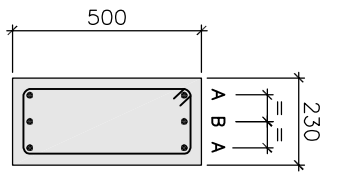
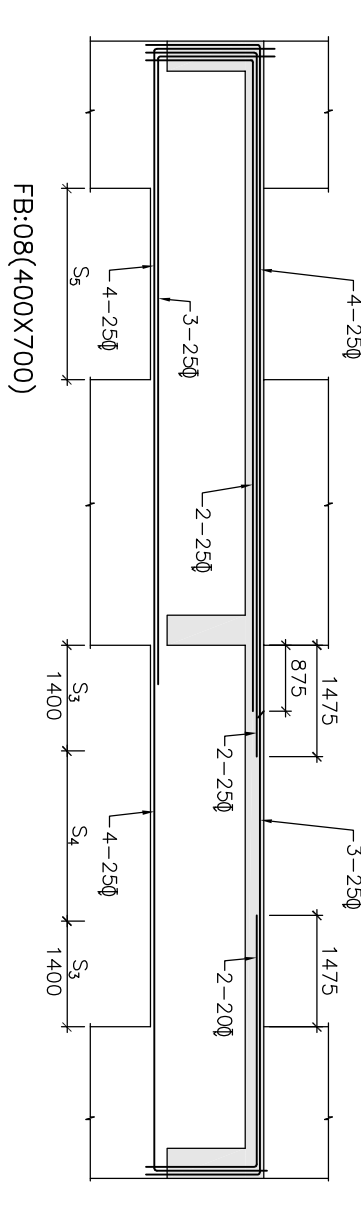
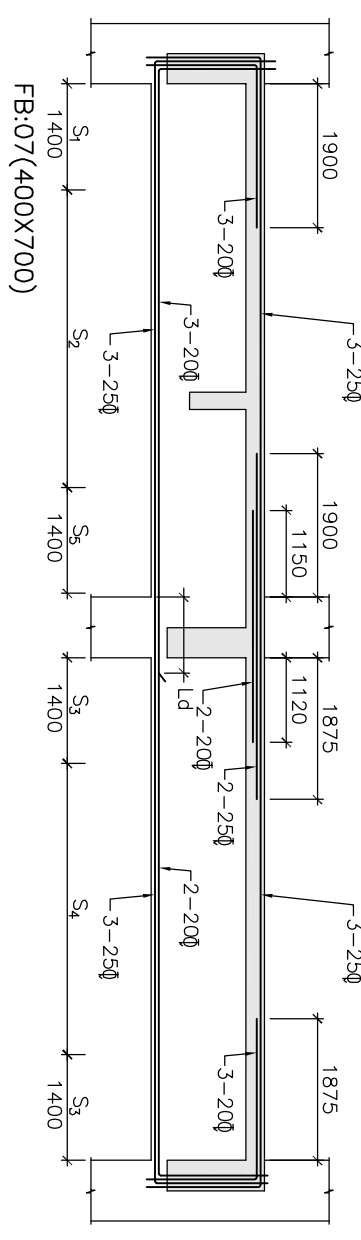
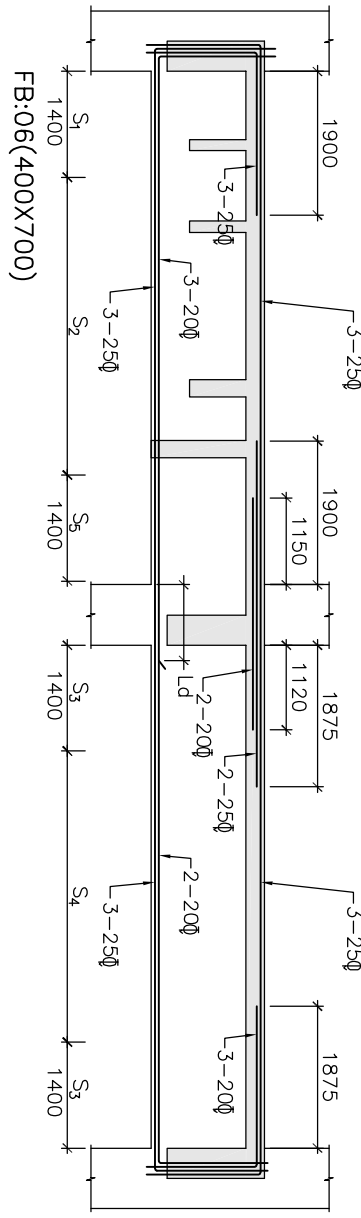
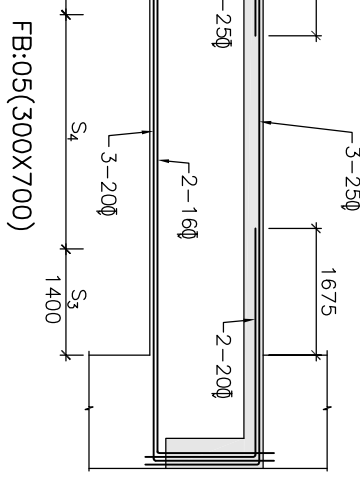
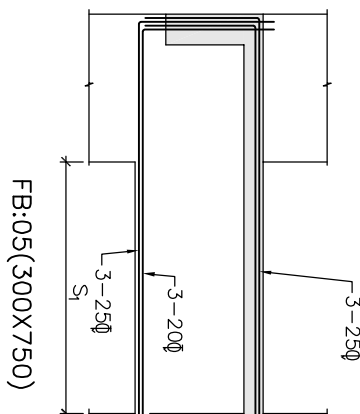
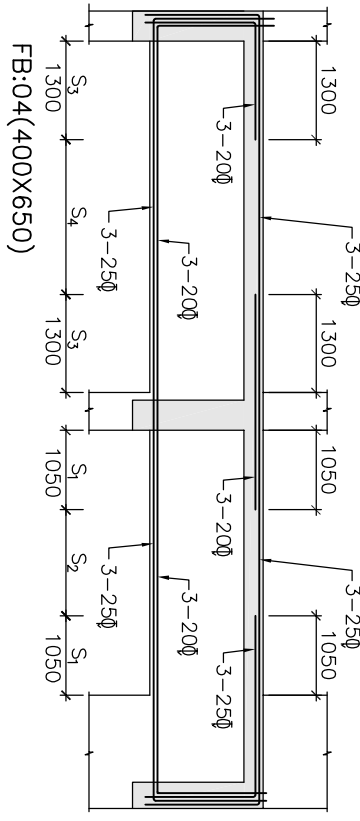
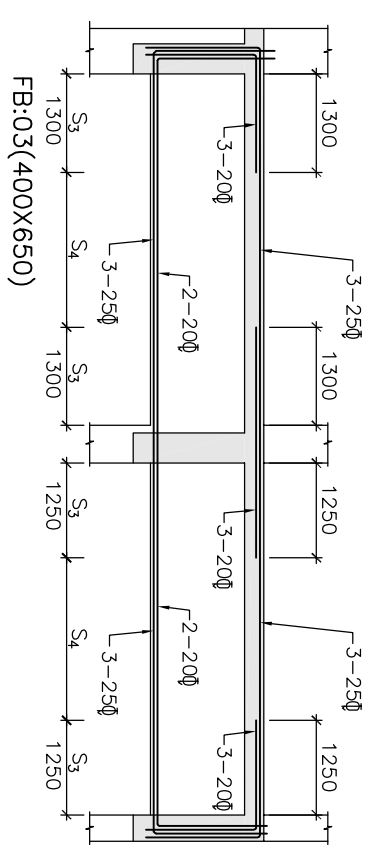
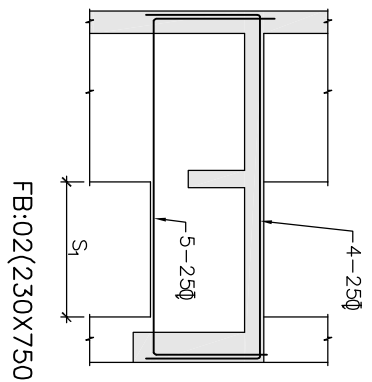
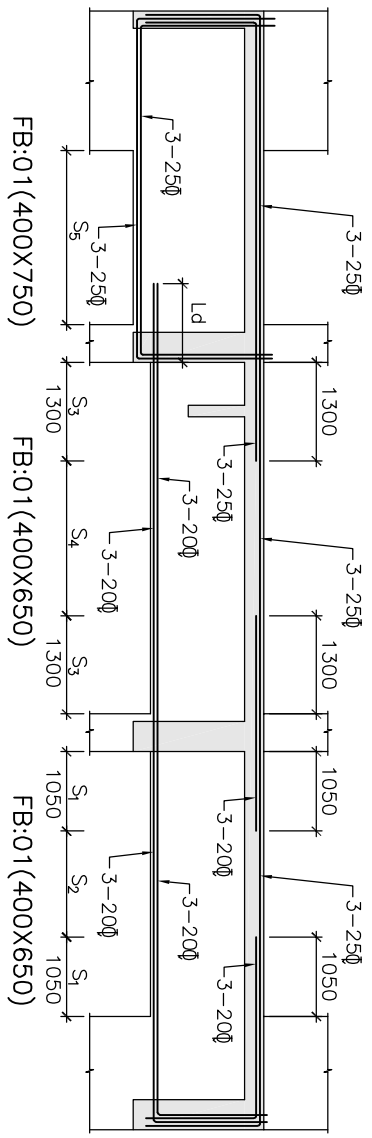
SIGN.	INITIALS	REVISIONS	DATE

ISSUE	DRN	DSN	CHD	CV	EL	IC	ME	PI	HW	EXT	LS	FE/PM	APPD	DATE

GUWAHATI SMART CITY DEVELOPMENT AGENCY LTD.
SMART CITY MISSION GUWAHATI

DETAILS OF THE BEAM
BEAM LAYOUT (SHEET 1 / 2)

TATA CONSULTING ENGINEERS LIMITED
MUMBAI



DETAIL OF SB-01
2L 8@100C/C STP.

DETAIL OF SB-03
2L 8@125C/C STP.

DETAIL OF SB-04
2L 8@100C/C STP.

DETAIL OF SB-05
2L 8@100C/C STP.

- NOTES:
- ALL DIMENSIONS AND LEVELS ARE IN mm U.N.O.
 - ONLY FIGURED DIMENSIONS ARE TO BE FOLLOWED, NOT TO BE MEASURED.
 - GRADE OF CONCRETE SHALL BE OF M25(1:1:2) U.N.O.
 - GRADE OF REINFORCEMENT STEEL SHALL BE OF Fe500
 - THESE DRAWINGS ARE THE PROPERTY OF M/S TATA CONSULTING ENGINEERS LIMITED. THOSE SHALL NOT BE COPIED, TRANSFERRED, MODIFIED OR USED FOR ANY PURPOSE OTHER THAN FOR THE PLANNING AND CONSTRUCTION OF "INTEGRATED COMMAND CONTROL CENTRE PROJECT AT PANJABARI, GUWAHATI"
 - DE-SHUTTERING PERIOD SHALL NOT BE LESS THAN SPECIFIED BELOW:-
 - VERTICAL FACES OF COLUMN, BEAM & WALL : 24 HOURS
 - SLAB
 - SPANNING UP TO 4.5m : 7 DAYS
 - SPANNING OVER 4.5m : 14 DAYS
 - BEAM
 - SPANNING UP TO 6.0m : 14 DAYS
 - SPANNING OVER 6.0m : 21 DAYS
 - CLEAR COVER TO THE MAIN REINFORCEMENT
 - FOUNDATION : 60mm
 - COLUMN UP TO PLINTH : 60mm
 - COLUMN ABOVE PLINTH : 40mm
 - BEAM : 25mm
 - WALL : 30mm
 - SLAB : 15-20mm

TENDER PURPOSE ONLY

SN	REVISIONS	DATE

ISSUE	DRN	DSN	CHD	CV	EL	IC	ME	PI	HM	EXT	LS	FE/PM	APPD	DATE
														17.04.2020

GUWAHATI SMART CITY DEVELOPMENT AGENCY LTD.
SMART CITY MISSION GUWAHATI

DETAILS OF FIRST FLOOR BEAM
L SECTION (SHEET 2 / 2)

TATA CONSULTING ENGINEERS LIMITED
MUMBAI

SCALE : AS NOTED DATE: 10.04.2020 ISSUE: R0

- RELATED DRAWINGS:
- TCE.10477A-CV-1007-RC-1001
 - TCE.10477A-CV-1007-RC-1012
 - TCE.10477A-CV-1007-RC-1024

- LEGEND:
- S₁=2L 10@100C/C STP.
 - S₂=2L 10@150C/C STP.
 - S₃=2L 8@100C/C STP.
 - S₄=2L 8@150C/C STP.
 - S₅=4L 10@100C/C STP.

