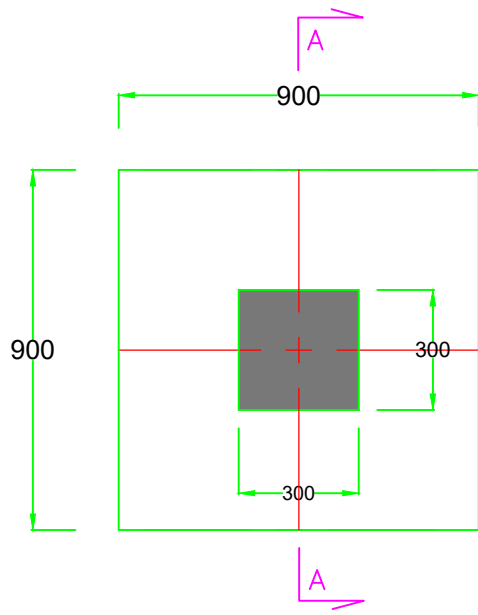
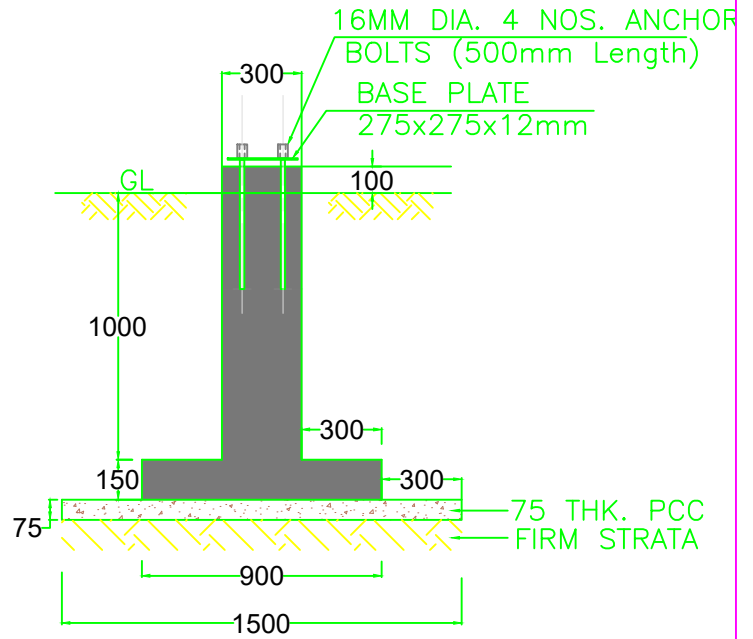


DESIGN OF STREET LIGHT POLE FOR "PROJECT JYOTI-PHASE II" SCHEME



PLAN VIEW
SCALE 1:20



SECTION A-A
SCALE 1:30

REINFORCEMENT DETAILS

SECTIONS	NOS	BAR SIZE	REMARKS
	7+7=14 NOS	10mm DIA	JALI
	4 NOS (1100x150)	12mm DIA	POST
	7 NOS (250x250)	6mm DIA	RING

CONCRETE 1:1.5:3

PO	JDT	VP	TG	TG									VVB	28.06.2021
ISSUE	DRN	DSN	CHD	CV	EL	IC	ME	PE/PM	APPD	DATE				
REVISIONS	CLEARED													

DO NOT SCALE

FOR TENDER PURPOSE

FILE NAME : TCE.10477A-4026-GL-40004-P0.dwg



GUWAHATI SMART CITY LIMITED

REINFORCEMENT DETAILS OF STREET LIGHT
POLE FOUNDATION FOR PROJECT JYOTI-PHASE II



TATA CONSULTING ENGINEERS LIMITED
MUMBAI

Proprietary rights of the information contained herein belong to Tata Consulting Engineers Limited (TCE). This information is intended to be used for the mentioned purpose/project only.

In case of misuse of information and any claim arising thereof, cost and consequence will be on the party misusing the information.

'P' (PRELIMINARY) ISSUES ARE NOT TO BE USED FOR CONSTRUCTION / FABRICATION BUT ARE ISSUED FOR LIMITED PURPOSES ONLY AS INDICATED IN THE SMALL BLOCK ABOVE THIS BLOCK. CONSTRUCTION / FABRICATION WORK IS PERMITTED ON 'R' (RELEASED) ISSUES ONLY.

INFORMATION CONTAINED WITHIN 'HOLD' IS NOT RELEASED FOR CONSTRUCTION / FABRICATION. FIELD MUST GET DESIGN OFFICE TO CLEAR 'HOLDS' IN TIME BEFORE PROCEEDING WITH ANY CONSTRUCTION / FABRICATION WORK RELATED TO 'HOLDS'.

SCALE : AS SHOWN | DWG. NO. : TCE.10477A-EL-4026-GL-40004 | ISSUE DC & DISC : MUM-EL | P0