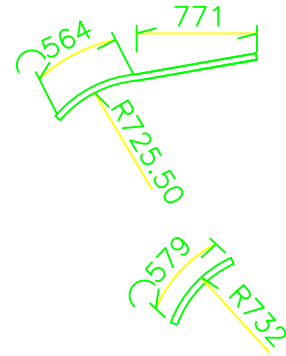
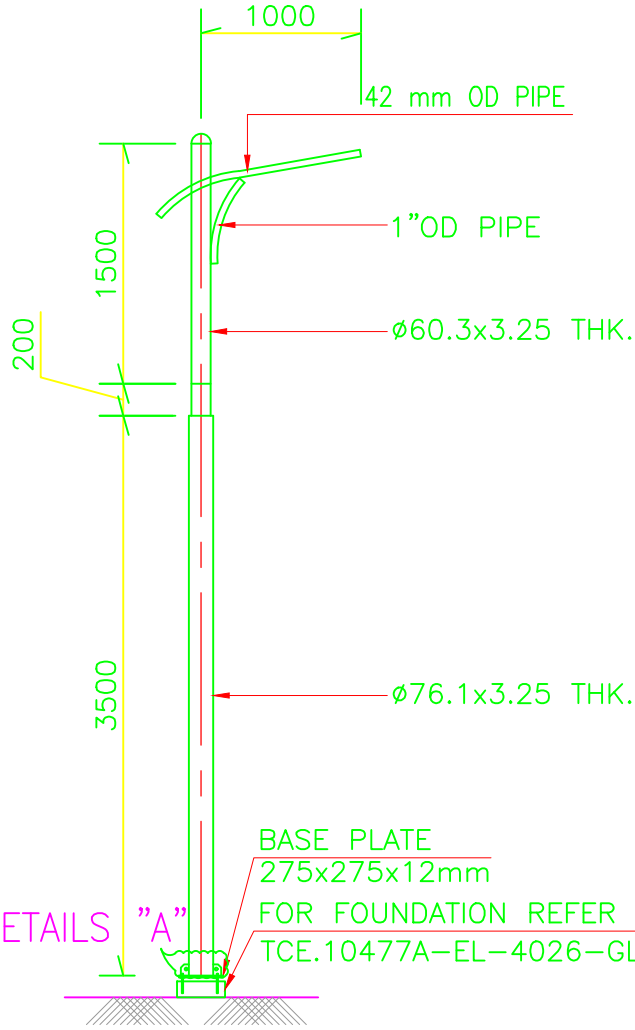
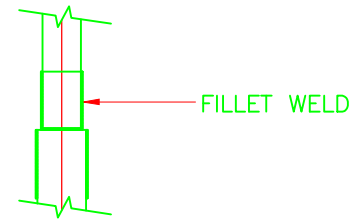


DESIGN OF STREET LIGHT POLE FOR "PROJECT JYOTI -PHASE II"SCHEME



ARM DETAILS



DETAIL OF LAP JOINT

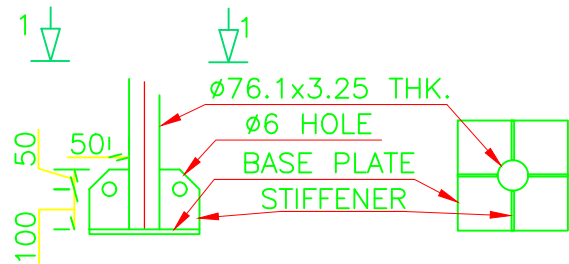
SCALE 1.25

STREET LIGHT POLE MOUNTING

SCALE 1:50

DESCRIPTION:

- 5m TUBULAR GALVANISED IRON POLE WITH TUBULAR ARM
- ALL DIMENSIONS ARE IN MM
- MATERIAL OF STEEL TUBE :AS PER IS 1161
- GRADE OF CONCRETE :- M20(1:1.5:3)
- GRADE OF REINFORCEMENT STEEL :- Fe 500



DETAILS "A"
SCALE 1:20

VIEW 1-1
SCALE 1:20

PO	JDT	VP	TG		TG									VVB	28.06.2021					
ISSUE	REVISIONS										DRN	DSN	CHD	CV	EL	IC	ME	PE/PM	APPD	DATE
DO NOT SCALE															FOR TENDER PURPOSE					
FILE NAME : TCE.10477A-4026-GL-40003-P0.dwg																				

GSC GUWAHATI SMART CITY LIMITED

DESIGN OF STREET LIGHT POLE
FOR PROJECT JYOTI-PHASE II

TATA TATA CONSULTING ENGINEERS LIMITED
MUMBAI

SCALE : AS SHOWN DWG. NO. TCE.10477A-EL-4026-GL-40003 ISSUE PO
DC & DISC : MUM-EL

Proprietary rights of the information contained herein belong to Tata Consulting Engineers Limited (TCE). This information is intended to be used for the mentioned purpose/project only.

In case of misuse of information and any claim arising thereof, cost and consequence will be on the party misusing the information.

'P' (PRELIMINARY) ISSUES ARE NOT TO BE USED FOR CONSTRUCTION / FABRICATION BUT ARE ISSUED FOR LIMITED PURPOSES ONLY AS INDICATED IN THE SMALL BLOCK ABOVE THIS BLOCK. CONSTRUCTION / FABRICATION WORK IS PERMITTED ON 'R' (RELEASED) ISSUES ONLY.

INFORMATION CONTAINED WITHIN 'HOLD' IS NOT RELEASED FOR CONSTRUCTION / FABRICATION. FIELD MUST GET DESIGN OFFICE TO CLEAR 'HOLDS' IN TIME BEFORE PROCEEDING WITH ANY CONSTRUCTION / FABRICATION WORK RELATED TO 'HOLDS'.