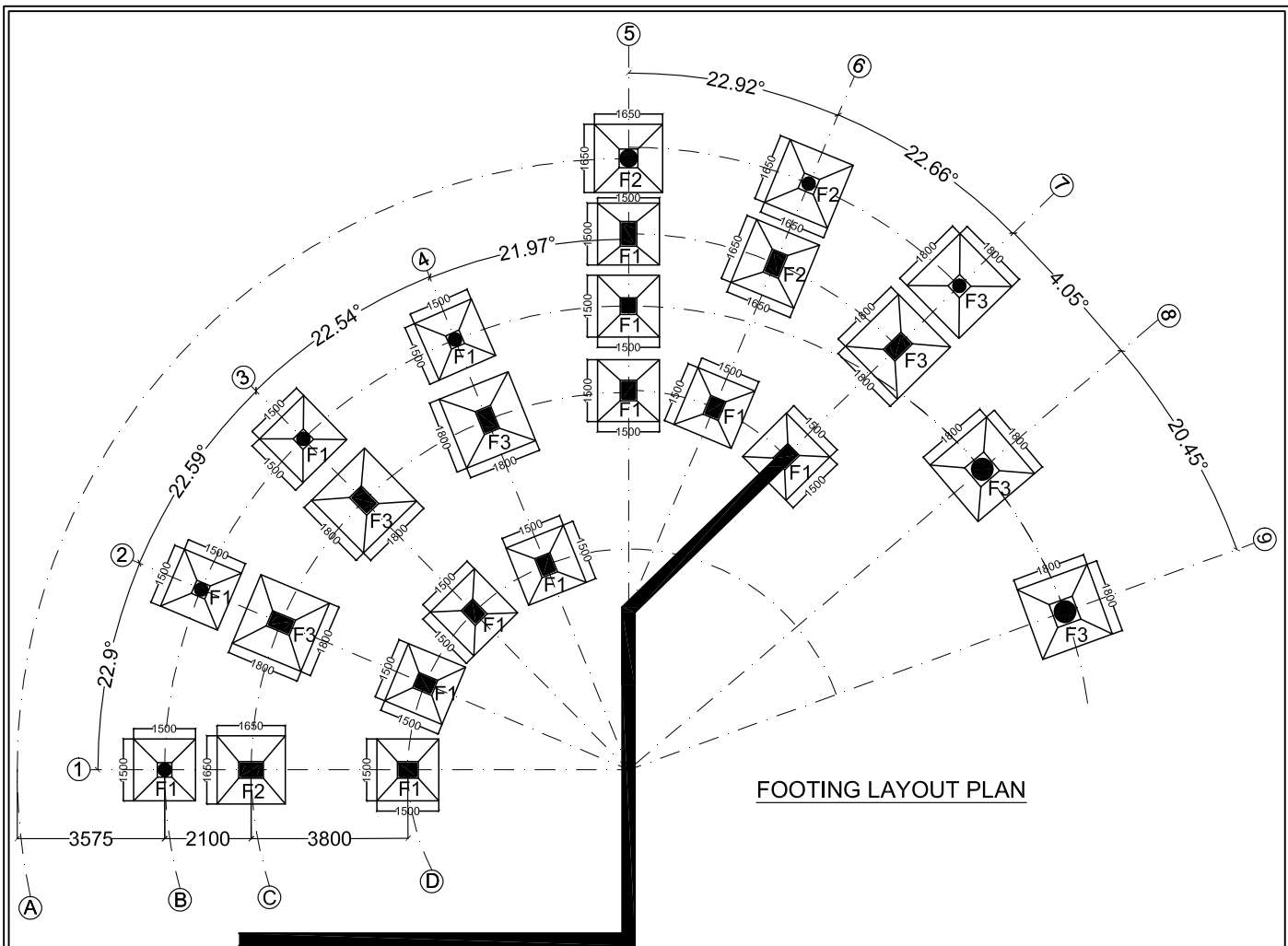


COLUMN LAYOUT PLAN

SCHEDULE OF COLUMN

SL. NO.	COLUMN NO.	SIZE (X-Y MM)	REINFORCEMENT	TYP. SECTION	LINK
1.	C1	300 DIA	6- 12#		8# AS DETAILED IN COL. LONG & CROSS SECTION
2.	C2	400 DIA	6- 16#		
4.	C4	300 X 300	4- 16#		
5.	C5	300 X 400	4- 20# + 4- 16# +		
6.	C6	300 X 500	6- 20# + 4- 16# +		



<p>THIS DRAWING IS A COPYRIGHT.</p> <p>CONTENTS OF THE DRAWING OR PART THEREOF MAY NOT BE USED OR REPRODUCED WITHOUT THE PERMISSION OF</p> <p>RAJKHOWAS AARCHI GUWAHATI.</p>	<p>CLIENT</p> <p>GMDA</p>	<p>NORTH</p>	<p>SCALE:</p> <p>JOB NO:</p> <p>DEALT BY:</p> <p>CHECKED BY:</p>	<p>ARCHITECT'S SIGN</p>	<p>CONSULTANT</p> <p>ARCHITECTS, ENGINEERS, VALUERS & PLANNERS</p> <p>M.D. ROAD, CHANDIMAR</p> <p>GUWAHATI-781003</p> <p>RAJKHOWAS AARCHI</p>				
	<p>PROJECT</p>		<p>CLIENT'S SIGN</p>	<p>DRAWING TITLE</p> <p>LAYOUT AND DETAIL OF COLUMN</p> <p>RAA/UMANDA/GHY/ST-102 - A</p>					
	<p>DEVELOPMENT PROJECT OF UMANANDATEMPLE AT PEACOCK ISLAND, BRAHMAPUTRA RIVER, OPPOSITE KACHARI GHAT, GUWAHATI</p>		<p>REVISIONS</p> <table border="1"> <tr> <th>S.NO.</th> <th>REVISIONS</th> <th>DATE</th> </tr> <tr> <td> </td> <td> </td> <td> </td> </tr> </table>	S.NO.	REVISIONS	DATE			
	S.NO.		REVISIONS	DATE					
<p>REVISIONS</p>									

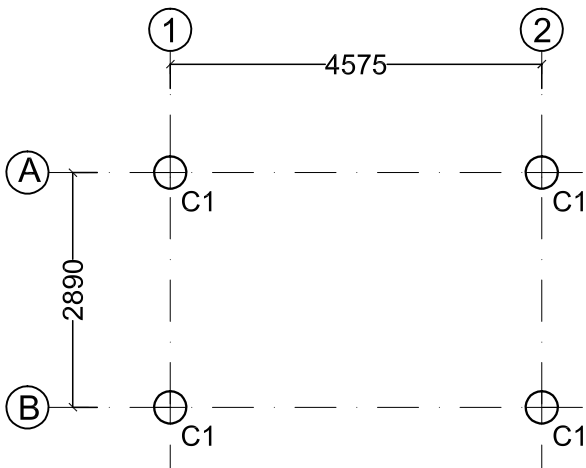


FOOTING LAYOUT PLAN

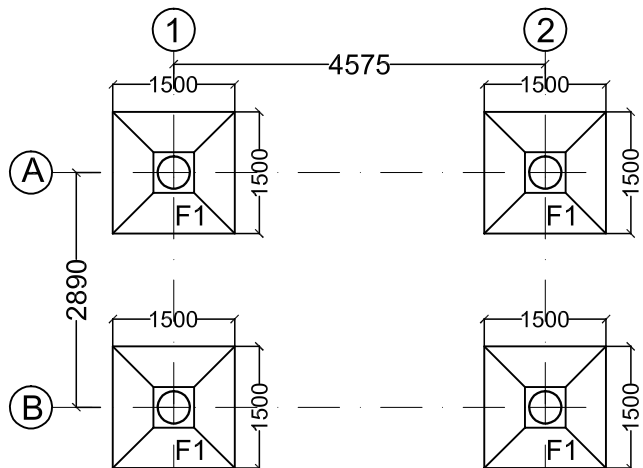
SCHEDULE OF FOOTING

SL. NO.	FOOTING NO	SIZE OF FOOTING X-Y MM	FOOTING REINFORCEMENT		TOTAL DEPTH D	MIN. DEPTH d
			X-DIR	Y-DIR		
1.	F1	1500X1500	10#@150C/C	10#@150C/C	500	150
2.	F2	1650X1650	10#@150C/C	10#@150C/C	550	150
3.	F3	1800X1800	10#@125C/C	10#@125C/C	550	200

<p>THIS DRAWING IS A COPYRIGHT.</p> <p>CONTENTS OF THE DRAWING OR PART THEREOF MAY NOT BE USED OR REPRODUCED WITHOUT THE PERMISSION OF</p> <p>RAJKHOWAS AARCHI GUWAHATI.</p>	<p>CLIENT</p> <p>GMDA</p>	<p>NORTH</p> 	<p>SCALE:</p> <p>JOB NO</p> <p>DEALT BY</p> <p>CHECKED BY</p>	<p>ARCHITECT'S SIGN</p>	<p>CONSULTANT</p> <p>ARCHITECTS, ENGINEERS, VALUERS & PLANNERS M.D. ROAD, CHANDIMAR GUWAHATI-781003</p> 				
	<p>PROJECT</p>		<p>CLIENT'S SIGN</p>	<p>DRAWING TITLE</p> <p>LAYOUT AND DETAIL OF FOOTING</p> <p>RAA/UMANDA/GHY/ST-102 - B</p>					
	<p>DEVELOPMENT PROJECT OF UMANANDATEMPLE AT PEACOCK ISLAND, BRAHMAPUTRA RIVER, OPPOSITE KACHARI GHAT, GUWAHATI</p>		<p>REVISIONS</p> <table border="1"> <tr> <th>S.NO.</th> <th>REVISIONS</th> <th>DATE</th> </tr> <tr> <td> </td> <td> </td> <td> </td> </tr> </table>	S.NO.	REVISIONS	DATE			
	S.NO.		REVISIONS	DATE					
<p>REVISIONS</p>									



COLUMN LAYOUT



FOOTING LAYOUT

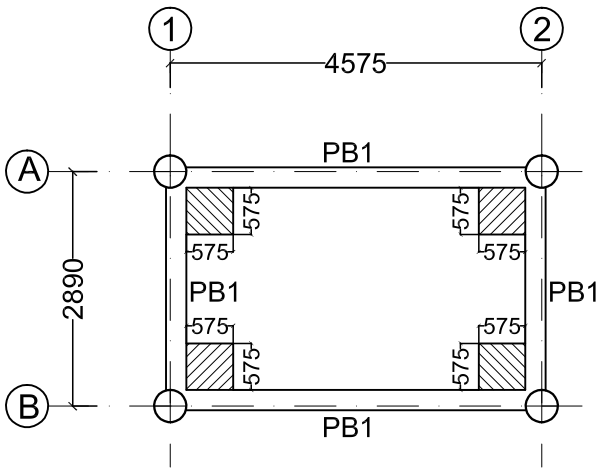
SCHEDULE OF COLUMN

SL. NO.	COLUMN NO.	SIZE (X-Y MM)	REINFORCEMENT	TYP. SECTION	LINK
1.	C1	300 DIA	6- 12#		8# AS DETAILED IN COL. LONG & CROSS SECTION

SCHEDULE OF FOOTING

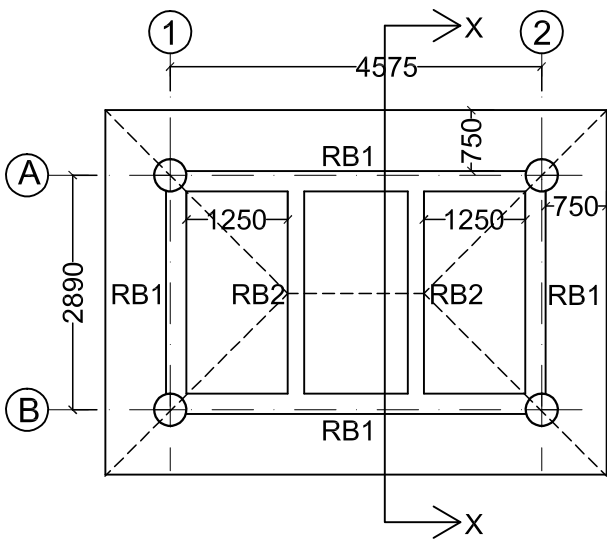
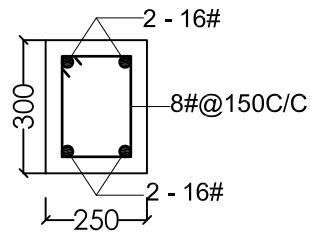
SL. NO.	FOOTING NO	SIZE OF FOOTING X-Y MM	FOOTING REINFORCEMENT		TOTAL DEPTH D	MIN. DEPTH d
			X-DIR	Y-DIR		
1.	F1	1500X1500	10#@150C/C	10#@150C/C	450	150

THIS DRAWING IS A COPYRIGHT. CONTENTS OF THE DRAWING OR PART THEREOF MAY NOT BE USED OR REPRODUCED WITHOUT THE PERMISSION OF RAJKHOWAS AARCHI GUWAHATI.	CLIENT GSCL	NORTH 	SCALE: JOB NO. DEALT BY CHECKED BY	ARCHITECT'S SIGN CONSULTANT
	PROJECT DEVELOPMENT PROJECT OF UMANANDATEMPLE AT PEACOCK ISLAND, BRAHMAPUTRA RIVER, OPPOSITE KACHARI GHAT, GUWAHATI		CLIENT'S SIGN	ARCHITECTS ENGINEERS, VALUERS & PLANNERS 112, ROAD, CHANDMAR GUWAHATI-781003
	S.NO. REVISIONS DATE REVISIONS		DRAWING TITLE COLUMN AND FOOTING DETAIL	RAA/UMANDA/GHY/ST-104-A



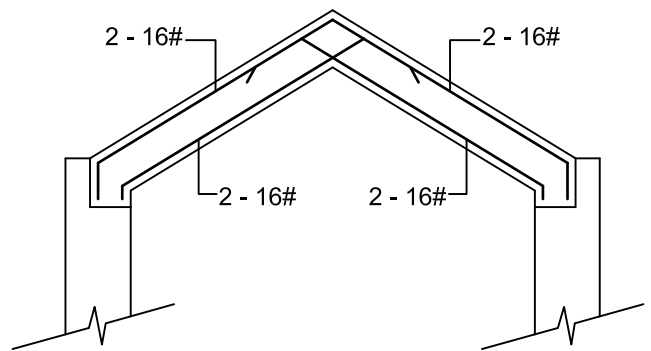
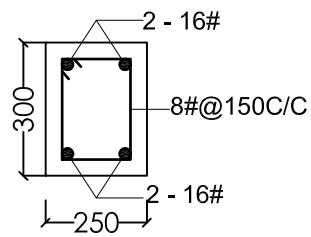
TIE BEAM LAYOUT

T.B.1 (250X300)

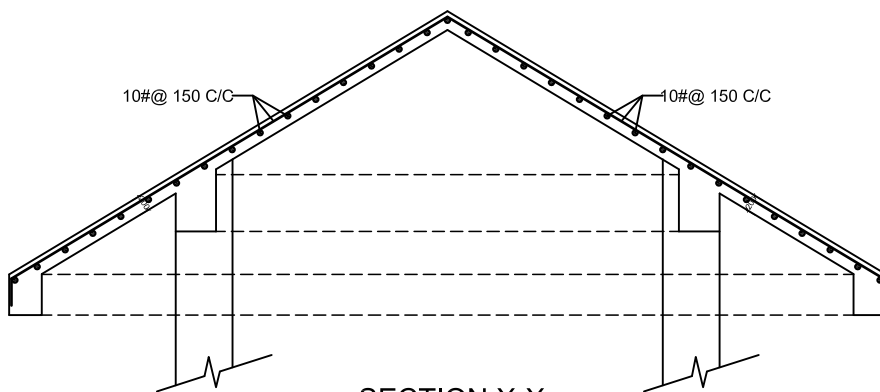


ROOF BEAM LAYOUT

R.B.1 (250X300)

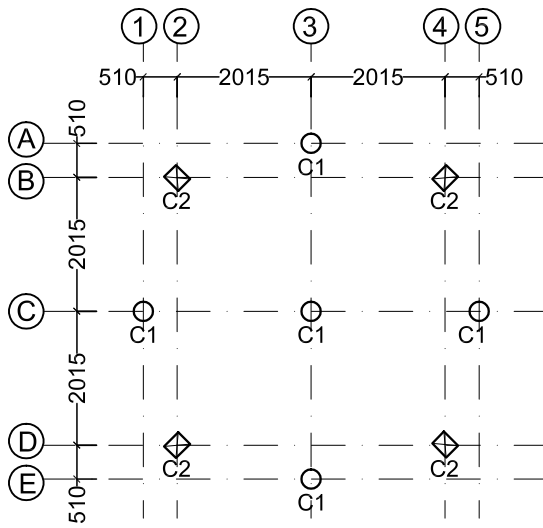


RB-2 (250X300)

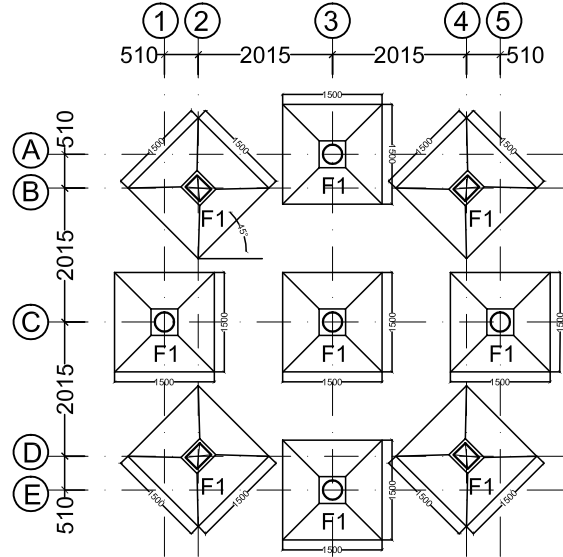


SECTION X-X

<p>THIS DRAWING IS A COPYRIGHT.</p> <p>CONTENTS OF THE DRAWING OR PART THEREOF MAY NOT BE USED OR REPRODUCED WITHOUT THE PERMISSION OF</p> <p>RAJKHOWAS AARCHI GUWAHATI.</p>	<p>CLIENT</p> <p>GSCL</p>		<p>NORTH</p>	<p>SCALE:</p>	<p>JOB NO</p>	<p>ARCHITECT'S SIGN</p>	<p>CONSULTANT</p>									
	<p>PROJECT</p> <p>DEVELOPMENT PROJECT OF UMANANDATEMPLE AT PEACOCK ISLAND, BRAHMAPUTRA RIVER, OPPOSITE KACHARI GHAT, GUWAHATI</p>			<p>DEALT BY</p>	<p>CHECKED BY</p>			<p>ARCHITECTS ENGINEERS, VALTERS & PARTNERS 112, ROAD, CHANDANAR GUWAHATI-781003</p>								
	<p>REVISIONS</p> <table border="1"> <thead> <tr> <th>S.NO.</th> <th>REVISIONS</th> <th>DATE</th> </tr> </thead> <tbody> <tr> <td> </td> <td> </td> <td> </td> </tr> <tr> <td> </td> <td> </td> <td> </td> </tr> </tbody> </table>			S.NO.	REVISIONS	DATE								<p>CLIENT'S SIGN</p>		<p>DRAWING TITLE</p> <p>OFFICE COLUMN AND FOOTING DETAIL</p>
	S.NO.	REVISIONS		DATE												
<p>RAJKHOWAS AARCHI GUWAHATI.</p>		<p>RAJKHOWAS AARCHI</p>		<p>RAA/UMANDA/GHY/ST-104-B</p>												



COLUMN LAYOUT



FOOTING LAYOUT

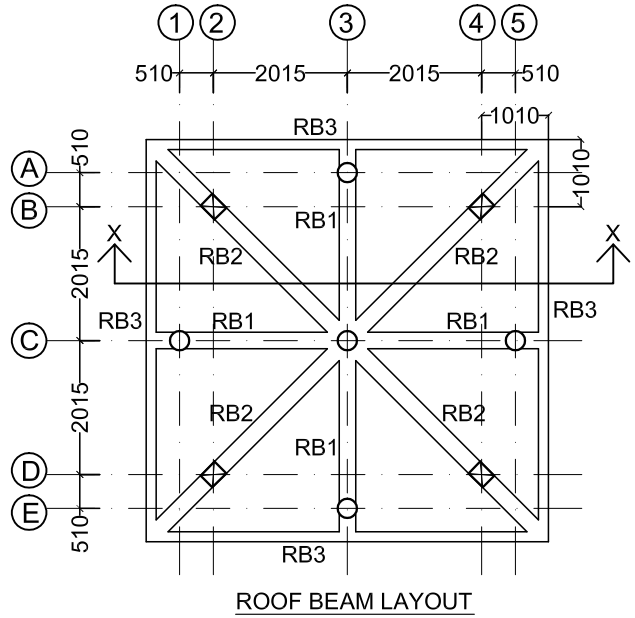
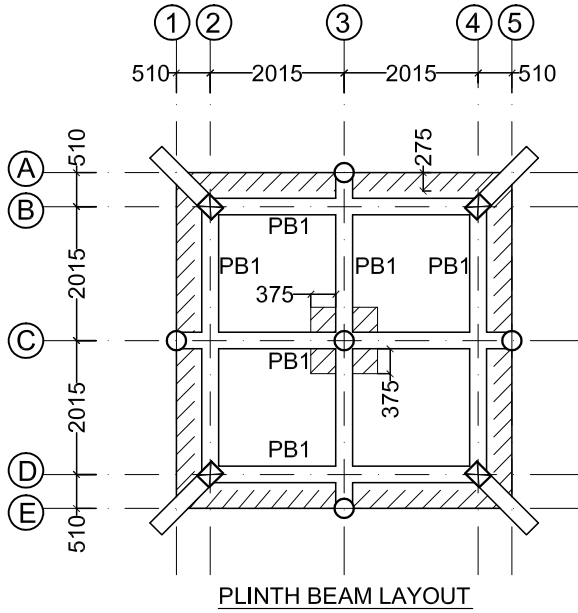
SCHEDULE OF COLUMN

SL. NO.	COLUMN NO.	SIZE (X-Y MM)	REINFORCEMENT	TYP. SECTION	LINK
1.	C1	300 DIA	6- 12#		8# AS DETAILED IN COL. LONG & CROSS SECTION
2.	C2	250 X 300	4- 16#		

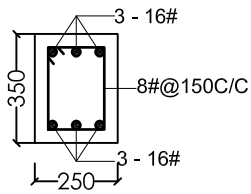
SCHEDULE OF FOOTING

SL. NO.	FOOTING NO	SIZE OF FOOTING X-Y MM	FOOTING REINFORCEMENT		TOTAL DEPTH D	MIN. DEPTH d
			X-DIR	Y-DIR		
1.	F1	1500X1500	10#@220C/C	10#@220C/C	450	150

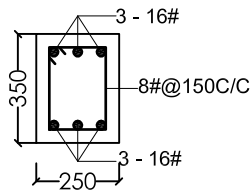
<p>THIS DRAWING IS A COPYRIGHT.</p> <p>CONTENTS OF THE DRAWING OR PART THEREOF MAY NOT BE USED OR REPRODUCED WITHOUT THE PERMISSION OF</p> <p>RAJKHOWAS AARCHI GUWAHATI.</p>	<p>CLIENT</p> <p>GSCL</p> <p>PROJECT</p> <p>DEVELOPMENT PROJECT OF UMANANDATEMPLE AT PEACOCK ISLAND.BRAHMAPUTRA RIVER, OPPOSITE KACHARI GHAT, GUWAHATI</p>	<p>NORTH</p>	<p>SCALE:</p> <p>JOB NO</p> <p>DEALT BY</p> <p>CHECKED BY</p>	<p>ARCHITECT'S SIGN</p> <p>CONSULTANT</p> <p>ARCHITECTS, ENGINEERS, VALUERS & PLANNERS M.S. ROAD, CHANDRABAR GUWAHATI-781003 RAJKHOWAS AARCHI</p>
	<p>S.NO.</p> <p>REVISIONS</p> <p>DATE</p>	<p>CLIENT'S SIGN</p>	<p>DRAWING TITLE</p> <p>GAZEBO LAYOUT AND DETAIL OF COLUMN</p>	<p>RAA/UMANDA/GHY/ST-105-A</p>
	<p>REVISIONS</p>			



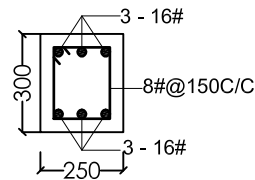
P.B.1 (250X350)



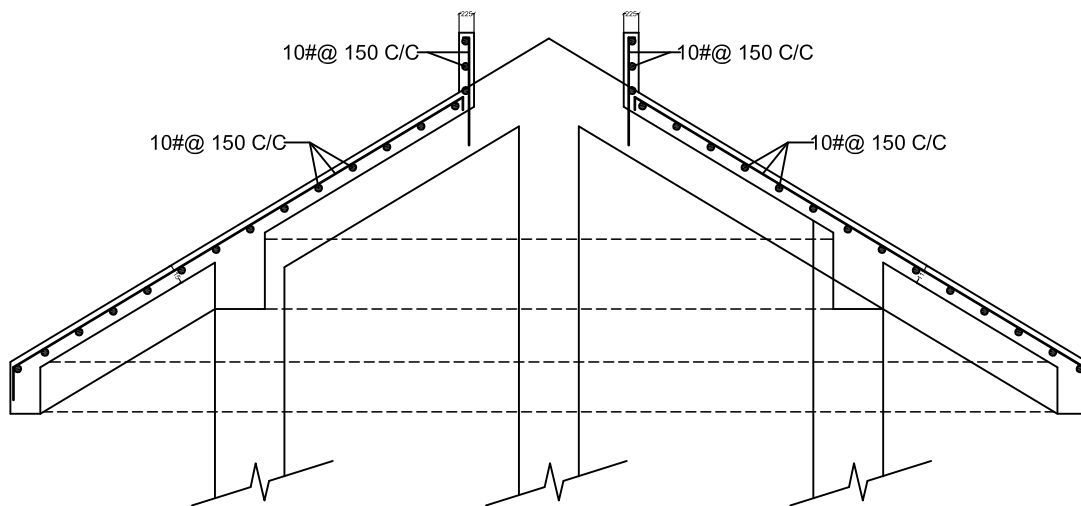
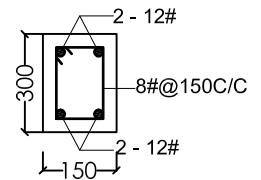
R.B.1 (250X350)



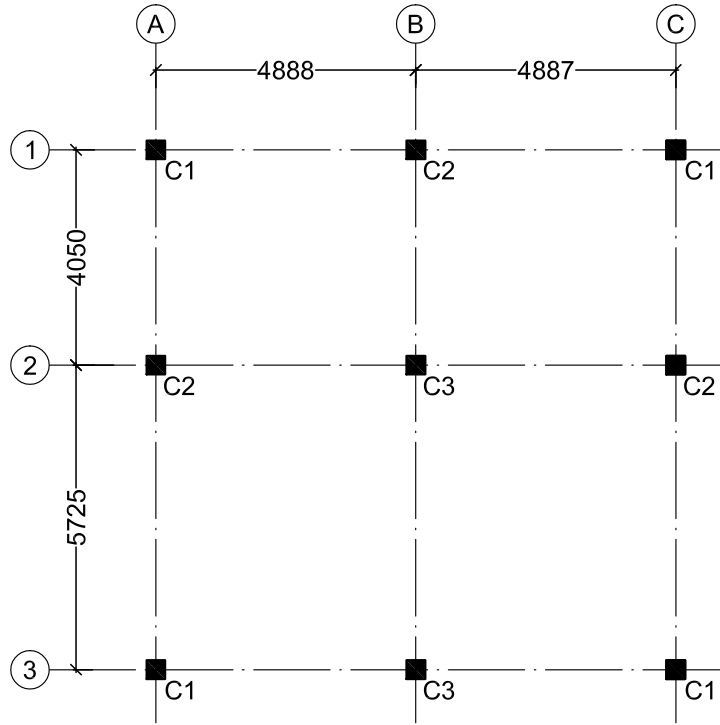
R.B.2 (250X300)



R.B.3 (150X300)



<p>THIS DRAWING IS A COPYRIGHT.</p> <p>CONTENTS OF THE DRAWING OR PART THEREOF MAY NOT BE USED OR REPRODUCED WITHOUT THE PERMISSION OF</p> <p>RAJKHOWAS AARCHI GUWAHATI.</p>		<p>CLIENT</p> <p>GSCL</p>	<p>NORTH</p>	<p>SCALE:</p> <p>JOB NO:</p> <p>DEALT BY:</p> <p>CHECKED BY:</p>	<p>ARCHITECT'S SIGN</p>	<p>CONSULTANT</p> <p>ARCHITECTS, ENGINEERS, VALUERS & PLANNERS</p> <p>M/S. RAJKHOWAS AARCHI</p> <p>GUWAHATI-781003</p>										
		<p>PROJECT</p> <p>DEVELOPMENT PROJECT OF UMANANDATEMPLE AT PEACOCK ISLAND, BRAHMAPUTRA RIVER, OPPOSITE KACHARI GHAT, GUWAHATI</p>			<p>CLIENT'S SIGN</p>											
	<table border="1" style="width: 100%; border-collapse: collapse;"> <tr> <th>S.NO.</th> <th>REVISIONS</th> <th>DATE</th> </tr> <tr> <td> </td> <td> </td> <td> </td> </tr> <tr> <td> </td> <td> </td> <td> </td> </tr> </table>	S.NO.	REVISIONS	DATE												
	S.NO.	REVISIONS	DATE													
					<p>DRAWING TITLE</p> <p>GAZEBO LAYOUT AND DETAIL OF ROOF BEAM</p> <p>RAA/UMANDA/GHY/ST-105-B</p>											



COLUMN LAYOUT PLAN

SCHEDULE OF COLUMN:-

SL. NO.	COLUMN NO.	SIZE (X-Y MM)	REINFORCEMENT	TYPICAL SECTION	LINK
1.	C1	350 X 350	8 - 20 #		8# AS DETAILED IN COL. LONG & CROSS SECTION
2.	C2	350 X 350	4 - 20 # + 4 - 16 #		
3.	C3	350 X 350	6 - 20 # + 2 - 16 #		

<p>THIS DRAWING IS A COPYRIGHT.</p> <p>CONTENTS OF THE DRAWING OR PART THEREOF MAY NOT BE USED OR REPRODUCED WITHOUT THE PERMISSION OF</p> <p>RAJKHOWAS AARCHI GUWAHATI.</p>	<p>CLIENT</p> <p>GUWAHATI SMART CITY LIMITED</p>	<p>NORTH</p>	<p>SCALE:</p> <p>JOB NO.</p> <p>DEALT BY</p> <p>CHECKED BY</p>	<p>ARCHITECT'S SIGN</p>	<p>CONSULTANT</p> <p>ARCHITECTS, ENGINEERS, VALUERS & PLANNERS 152, ROAD, CHANDIREE GUWAHATI-781003</p> <p></p>
	<p>PROJECT</p> <p>DEVELOPMENT PROJECT OF UMANANDATEMPLE AT PEACOCK ISLAND BRAHMAPUTRA RIVER, OPPOSITE KACHARI GHAT, GUWAHATI</p>	<p>CLIENT'S SIGN</p>	<p>DRAWING TITLE</p> <p>DORMITORY LAYOUT & DETAIL OF COLUMN</p>	<p>RAAJUMANDA/GHY/ST-107-A</p>	
	<p>S.NO.</p> <p>REVISIONS</p> <p>DATE</p>				
	<p>REVISIONS</p>				