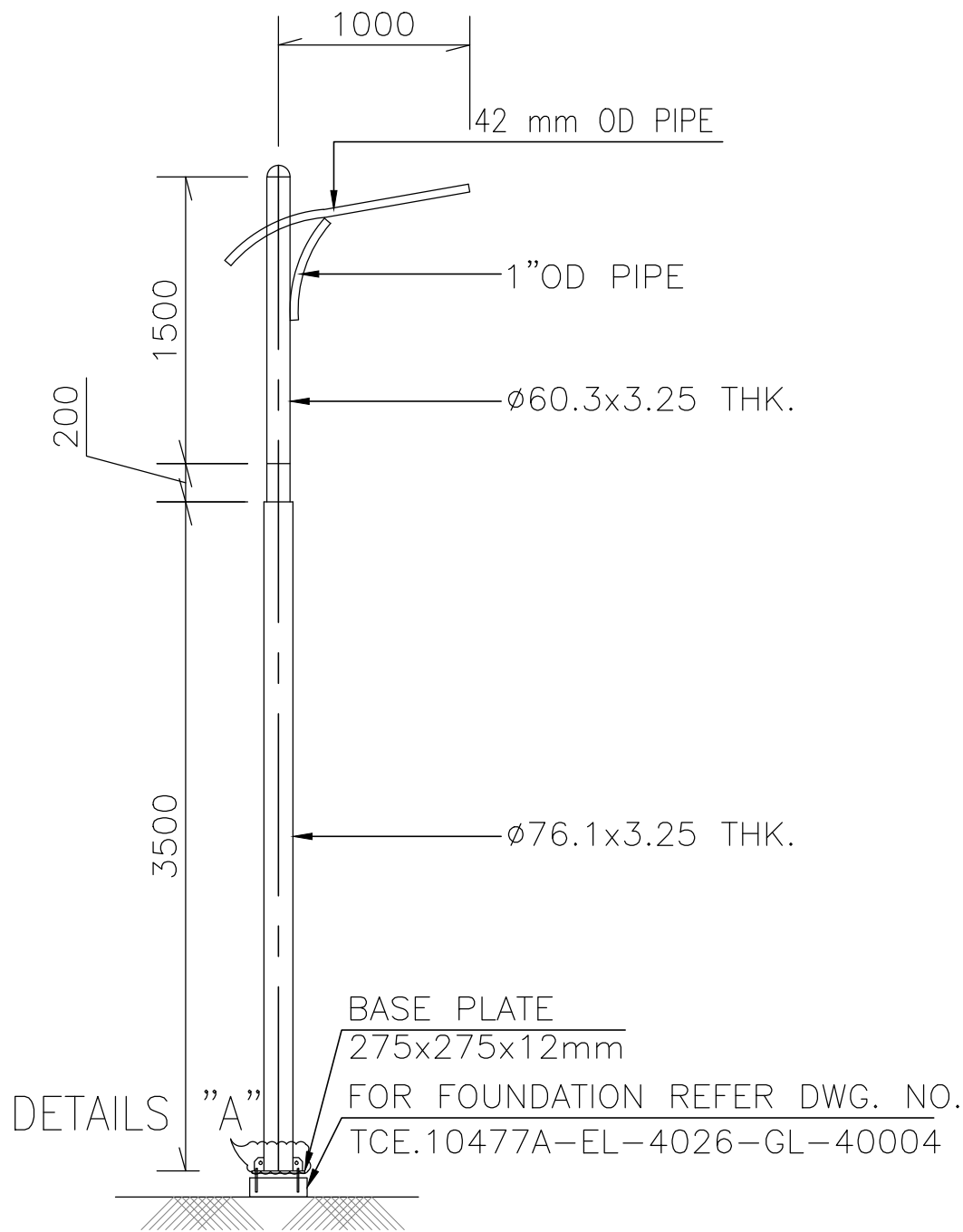
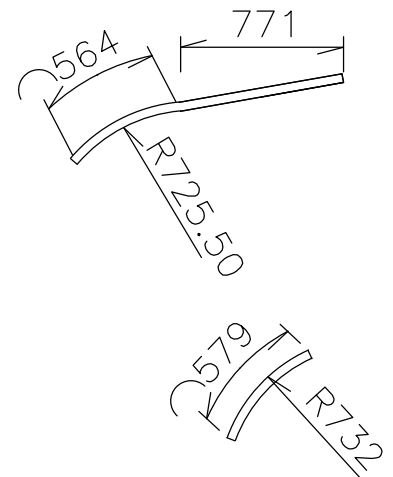


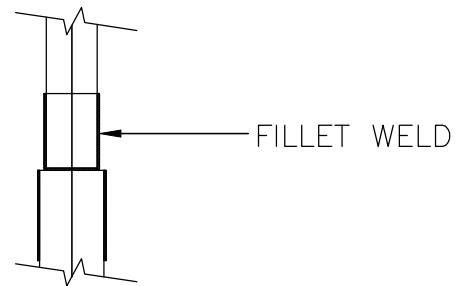
DESIGN OF STREET LIGHT POLE FOR "PROJECT JYOTI" SCHEME



STREET LIGHT POLE MOUNTING
SCALE 1:50



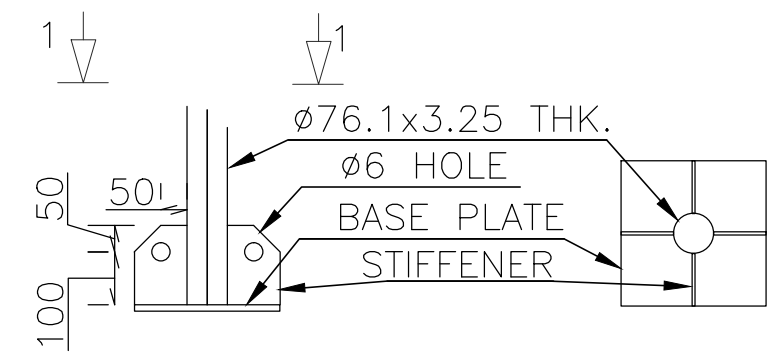
ARM DETAILS



DETAIL OF LAP JOINT
SCALE 1.25

DESCRIPTION:

- 5m TUBULAR GALVANISED IRON POLE WITH TUBULAR ARM
- ALL DIMENSIONS ARE IN MM
- IS SPECIFICATION: AS PER IS 2713/1980
- GRADE OF CONCRETE :- M20(1:1.5:3)
- GRADE OF REINFORCEMENT STEEL :- Fe 500



DETAILS "A"
SCALE 1:20

VIEW 1-1
SCALE 1:20

PO	JDT	SK	PJ	CV	EL	IC	ME	PE/PM	APPD	DATE	01.06.2017	
ISSUE	REVISIONS			DRN	DSN	CHD	CLEARED			PE/PM	APPD	DATE

DO NOT SCALE	TENDER PROPOSED	GUWAHATI SMART CITY LIMITED
--------------	-----------------	------------------------------------

Proprietary rights of the information contained herein belong to Tata Consulting Engineers Limited (TCE). This information is intended to be used for the mentioned purpose/project only. In case of misuse of information and any claim arising thereof, cost and consequence will be on the party misusing the information.	'P' (PRELIMINARY) ISSUES ARE NOT TO BE USED FOR CONSTRUCTION / FABRICATION BUT ARE ISSUED FOR LIMITED PURPOSES ONLY AS INDICATED IN THE SMALL BLOCK ABOVE THIS BLOCK. CONSTRUCTION / FABRICATION WORK IS PERMITTED ON 'R' (RELEASED) ISSUES ONLY. INFORMATION CONTAINED WITHIN 'HOLD' IS NOT RELEASED FOR CONSTRUCTION / FABRICATION. FIELD MUST GET DESIGN OFFICE TO CLEAR 'HOLDS' IN TIME BEFORE PROCEEDING WITH ANY CONSTRUCTION / FABRICATION WORK RELATED TO 'HOLDS'.	DESIGN OF STREET LIGHT POLE FOR PROJECT JYOTI TATA CONSULTING ENGINEERS LIMITED MUMBAI
FILE NAME : TCE.10477A-4026-GL-40003-P0.dwg	SCALE : AS SHOWN	DWG. NO. TCE.10477A-EL-4026-GL-40003
DC & DISC : MUM-EL	ISSUE PO	TCE FORM NO. 094 R0